

Part Manual

Junior 5.5 SP

Serial Number

18131514-18301523

ELS LIFT

CE

**OUTPOWER
THE GRAVITY.**

TABLE OF CONTENTS

GENERAL INFORMATION	2
INTRODUCTION	2
DESCRIPTION	2
HOW TO ORDER PARTS	3
PARTS ORDER FORM	3
LEGEND	5
LOCATION OF SAFETY INDICATORS	6
List of Symbols and Hazard Legends	7
Description of Symbols and Hazard Legends	8
CHASSIS	9
Chassis Assembly	9
Steer Linkage	11
Pot Hole Protection Assembly	13
Battery Pack Module	16
Drive Wheel Assembly	18
PLATFORM	20
Platform Assembly	20
Main Platform Assembly	22
Platform Extention Assembly	24
Joystick Assembly	26
SCISSORS	28
Scissors Assembly	28
Scissors Group 1 Assembly	30
Scissors Group 2 Assembly	31
Scissors Group 3 Assembly	32
Scissors Group 4 Assembly	33
Scissors Group 5 Assembly	34
Scissors Group 6 Assembly	35
ELECTRICAL CIRCUIT DIAGRAM	37
POWER CABLE DIAGRAM	39
HYDRAULIC CIRCUIT DIAGRAM	41

GENERAL INFORMATION

INTRODUCTION

This manual introduces the detailed information about machine spare parts. Every person who maintains, inspects, tests or repairs the machine must be qualified and authorized to do.

You should contact ELS Lift when you come across a situation other than described in this part manual.

Contact Us: info@elslift.com

aftersales@elslift.com

DESCRIPTION

Machine Designation: Machines are identified by the manufacture, according to some technical specifications of the machine.

Description of Part Table: Every figure has a table which is described of part's quantity, item, number, description.

Part Manual Layout: Manual is designed under section titles of machine. Chassis, platform, scissors are examples of some titles of machine.

Non-Servised Parts: In some cases, it is necessary to Show the parts and assemblies that do not require non-servised parts. These parts in the part table are indicated as "no longer used" or "not sold seperately".

! USE THE ORIGINAL ELS SPARE PARTS FOR YOUR SAFETY !

HOW TO ORDER PARTS

When ordering replacement parts, please have the following machine information.

- ✓ Machine model number
- ✓ Machine serial number
- ✓ ELS part number
- ✓ Description of part
- ✓ Quantity of part
- ✓ Purchase order number
- ✓ Vat number
- ✓ Address for order to ship
- ✓ Desired method of shipment

Use the Part Order Form on the next page and mail or call your order to our After Sales Department.

PARTS ORDER FORM

Machine Model Number	
Machine Serial Number	
ELS Part Number	
Description of Part	
Quantity of Part	
Purchase Order Number	
Vat Number	
Address for Order to Ship	
Desired Method of Shipment	

Turkey

Els Lift Makine Sanayi Ticaret A.Ş

Organize Sanayi Bölgesi Lacivert Cadde No:11

16140 Nilüfer/Bursa / TÜRKİYE

info@elslift.com

aftersales@elslift.com

Tel: [+90 542 464 82 50](tel:+905424648250)

France

Metaloc

11-17 Rue Constantin Pecqueur

95150 Taverny, FRANCE

www.metaloc.fr

contact@metaloc.fr

Tel: [01 30 40 20 99](tel:0130402099)

Germany

Kunze GmbH

Hermann-Oberth-Straße 3

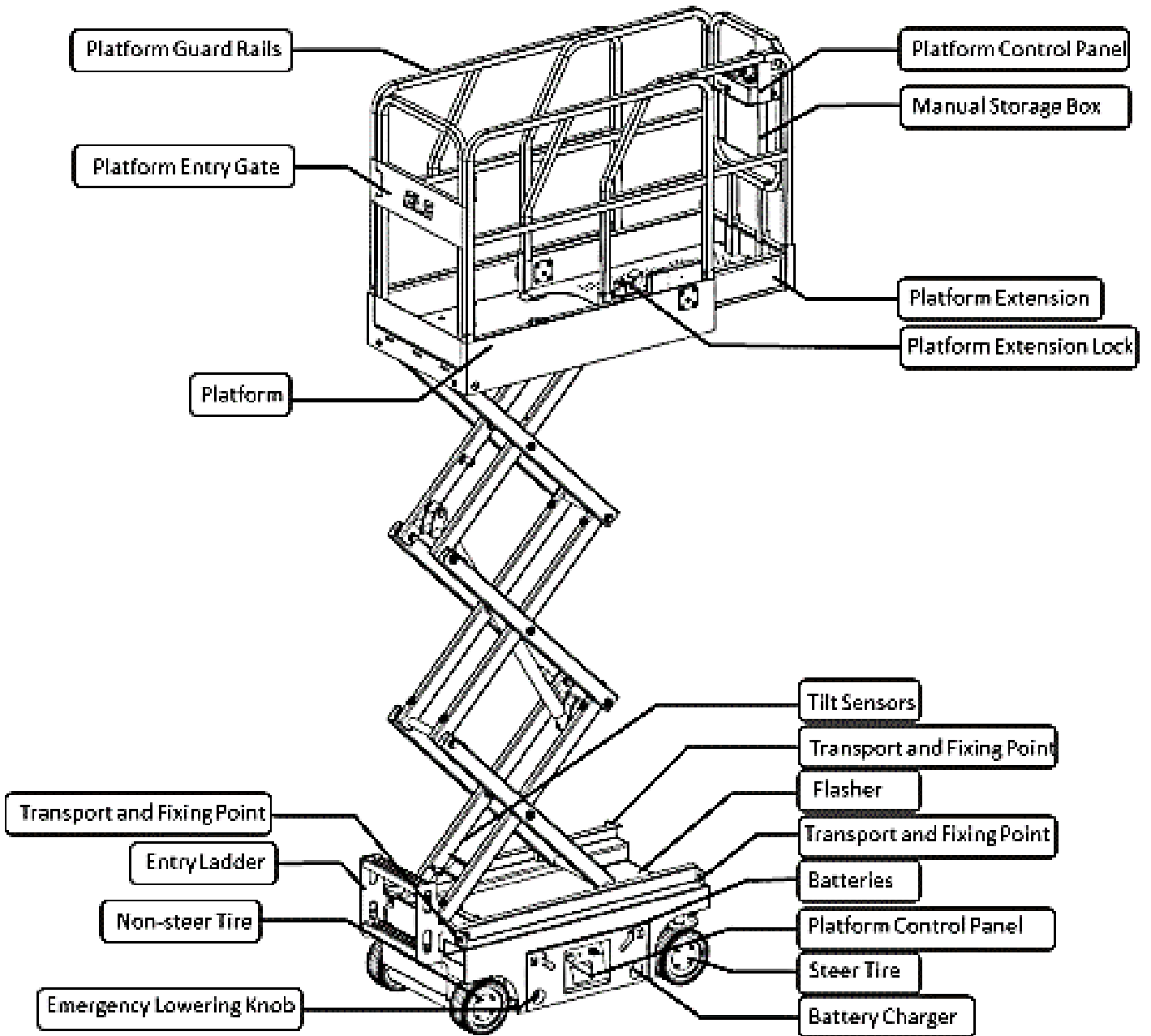
D - 83052 Bruckmühl

www.kunze-buehnen.com

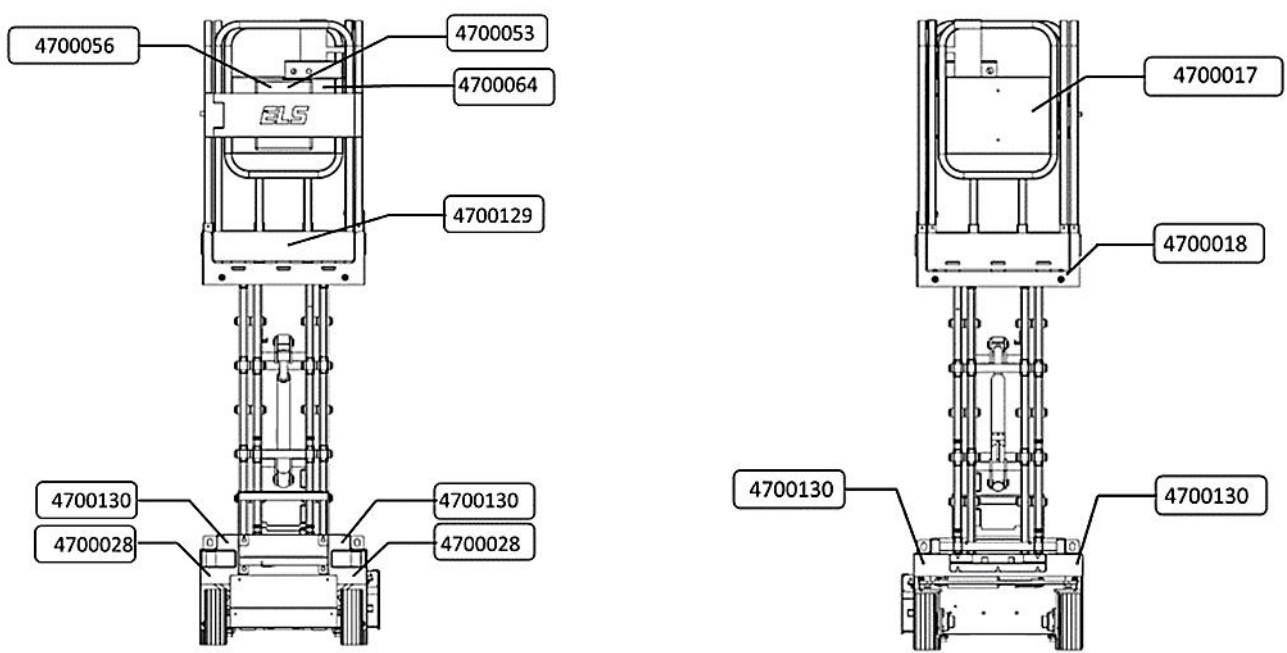
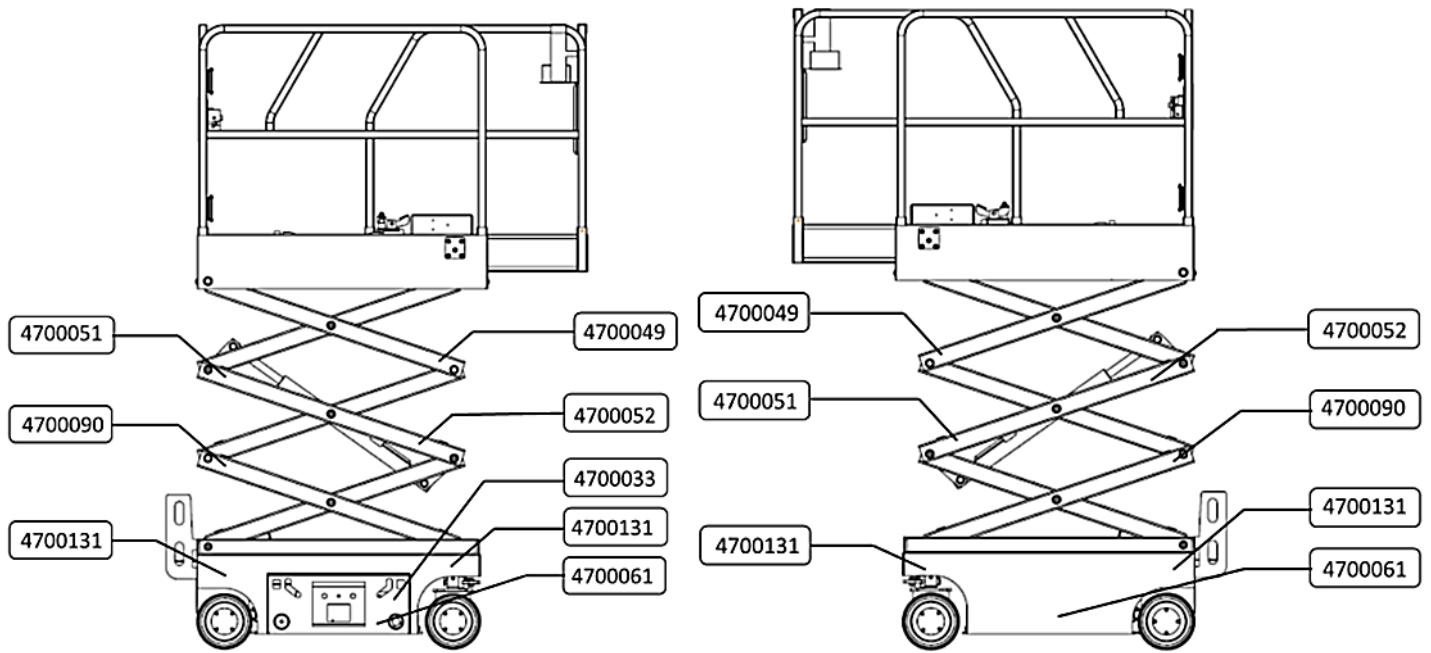
info@kunze-buehnen.com

Tel: [+49 \(0\)8062/72611-0](tel:+4908062726110)

LEGEND



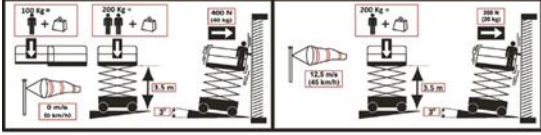
LOCATION OF SAFETY INDICATORS



List of Symbols and Hazard Legends

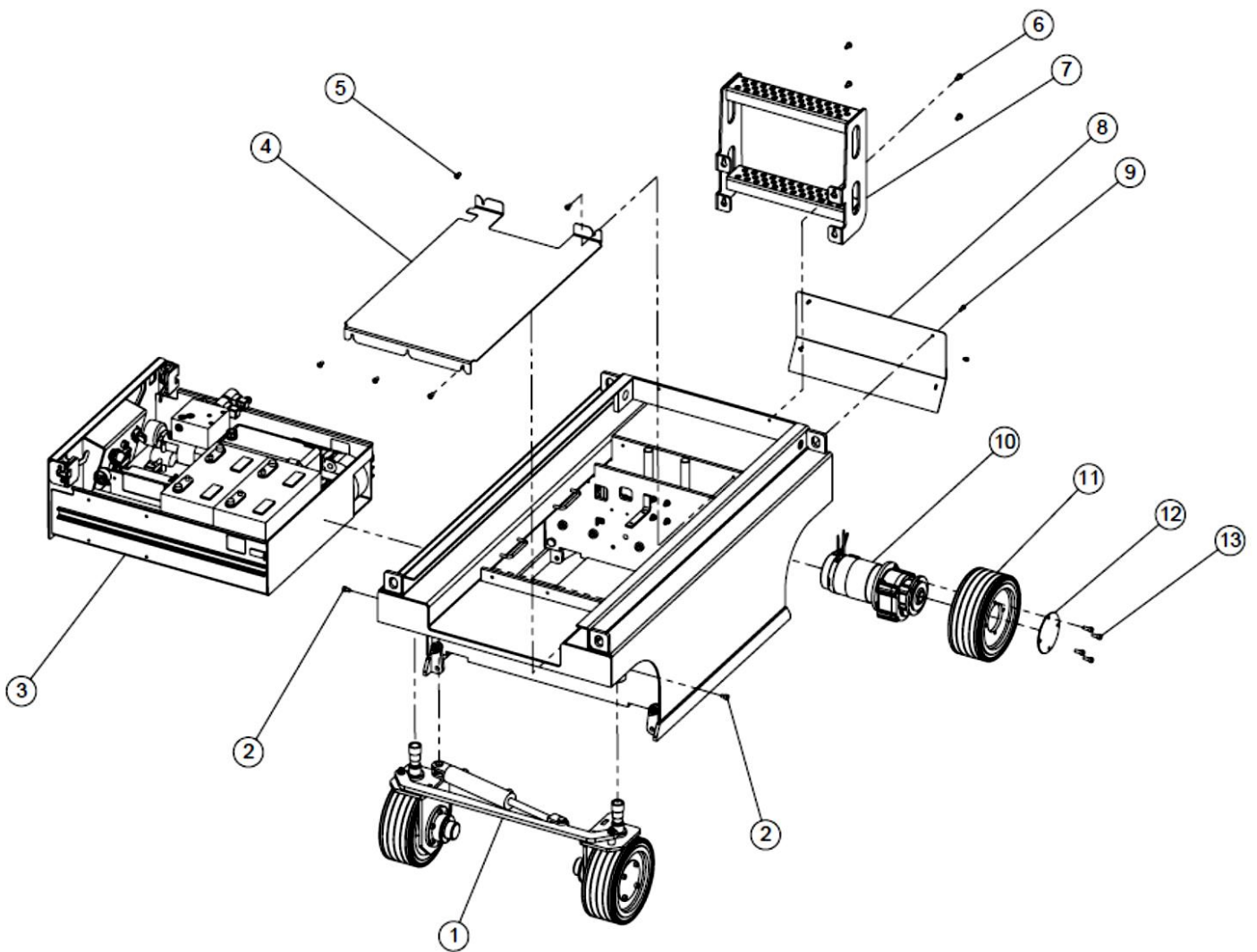
- 4700090 → Crush Hazard
- 4700131 → Maximum Tire Load
- 4700049 → Maintenance Bar
- 4700056 → Manuals Control
- 4700018 → Production Place
- 4700064 → No Smoking
- 4700053 → Read the Operator's Manual
- 4700028 → Forklift Forks Pocket
- 4700038 → Lanyard Attachment Point
- 4700033 → Battery Charger Plug
- 4700061 → Crush Hazard
- 4700130 → Tiedown
- 4700017 → Usage Advices
- 4700129 → Inside and Outside Terms of Use

Description of Symbols and Hazard Legends

 <p>4700090</p>	 <p>4700131</p>	 <p>4700049</p>	<div style="border: 1px solid black; padding: 5px;"> <p>If Safety Manual, Operator's Manual or Responsibilities Manual are missing, contact local ELS distributor or ELS Industries.</p> </div> <p>4700056</p>
 <p>4700018</p>	 <p>4700064</p>	 <p>4700053</p>	 <p>4700028</p>
 <p>4700038</p>	<div style="border: 1px solid red; padding: 10px; text-align: center;"> <p>KEEP</p> </div> <p>4700051</p>	<div style="border: 1px solid red; padding: 10px; text-align: center;"> <p>CLEAR</p> </div> <p>4700052</p>	 <p>4700089</p>
 <p>4700061</p>	 <p>4700130</p>	 <p>4700129</p>	
<div style="border: 1px solid black; padding: 10px;"> <p>4700017</p> <p>EN</p> <p style="text-align: center;"></p> <p style="text-align: center;">RECOMMENDATIONS FOR USE</p> <p>BEFORE USING THIS MACHINE THE OPERATOR MUST</p> <ol style="list-style-type: none"> 1- Read and understand the information in the operators manual and the information marked on the machine, and become familiar with the controls. 2- Receive training and practical experience in operating the machine, under the employers supervision. 3- Ensure that maintenance is performed according to the manufacturers instructions. 4- Refrain from using the machine in the event of any malfunction. 5- Not wash the electrical components with a washer pressure. 6- Not remove any parts which might affect the stability. 7- Not modify the machine without the manufacturers approval. 8- Not use the machine as a welding earth. 9- Not weld on the machine without first disconnecting the battery terminals. See the instructions in the maintenance manual. <p style="text-align: center;">DAILY INSPECTION</p> <ol style="list-style-type: none"> 1- Check the level of hydraulic oil and battery electrolyte. 2- Check that there are no apparent defects hydraulic leaks, loose bolts, loose electric connections. 3- Check that the tilt indicator operates correctly by sounding the buzzer. <p style="text-align: center;">INSTRUCTIONS BEFORE USE</p> <p>IMPORTANT when using the AC power line to the work platform, the power plug must be connected to an electrical installation protected by a 30mA circuit breaker (C15100 standard)</p> <p style="text-align: center;">START - UP</p> <ol style="list-style-type: none"> 1- Unlock the emergency stop button then press the starter button. 2- If the machine does not start, wait 10 second then repeat the operation. <p style="text-align: center;">THE MACHINE MUST NO BE USED WHILE CHARGING THE BATTERIES</p> <p style="text-align: center;">ELS LIFT</p> </div> <p>4700017</p>			

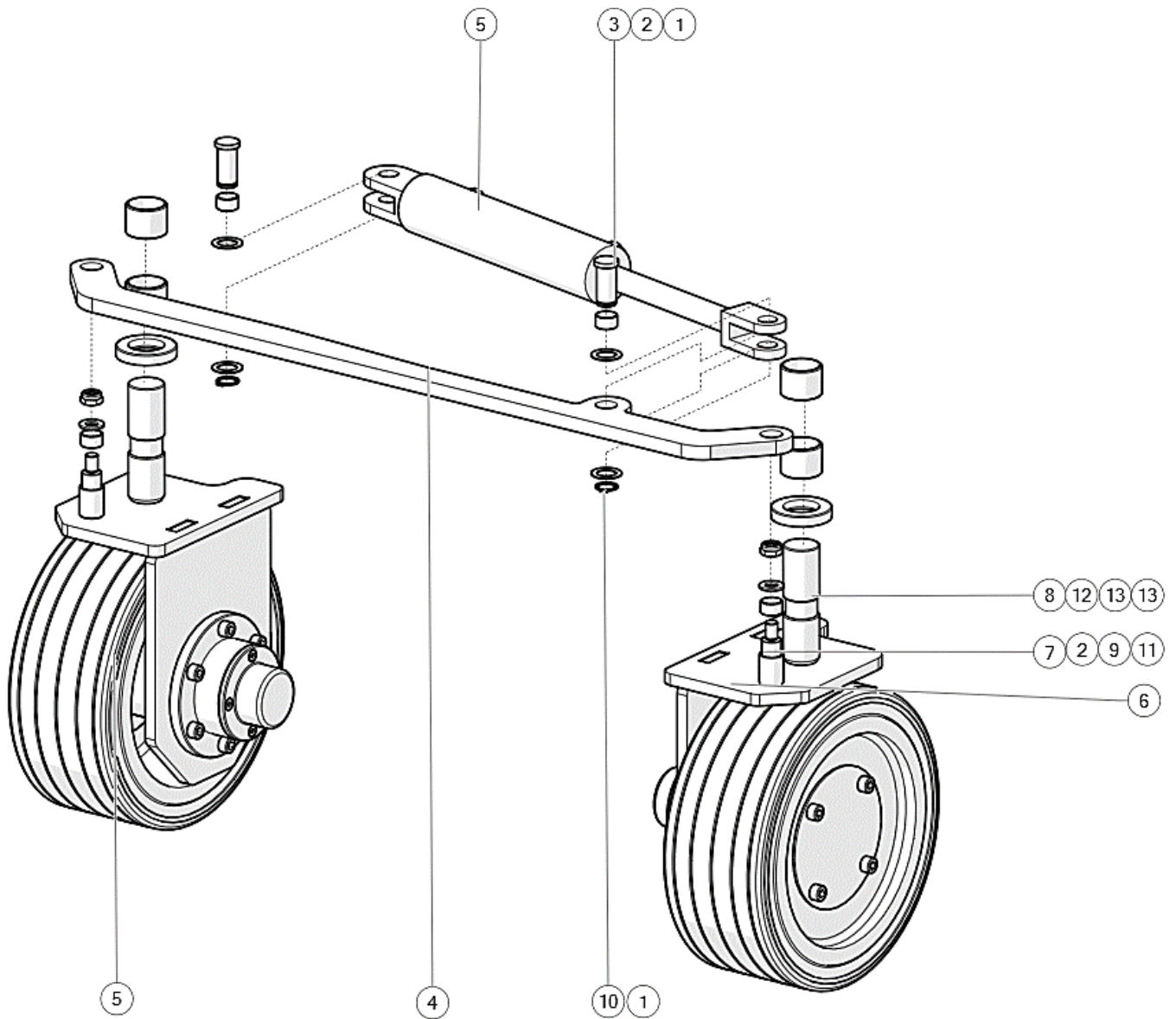
CHASSIS

Chassis Assembly



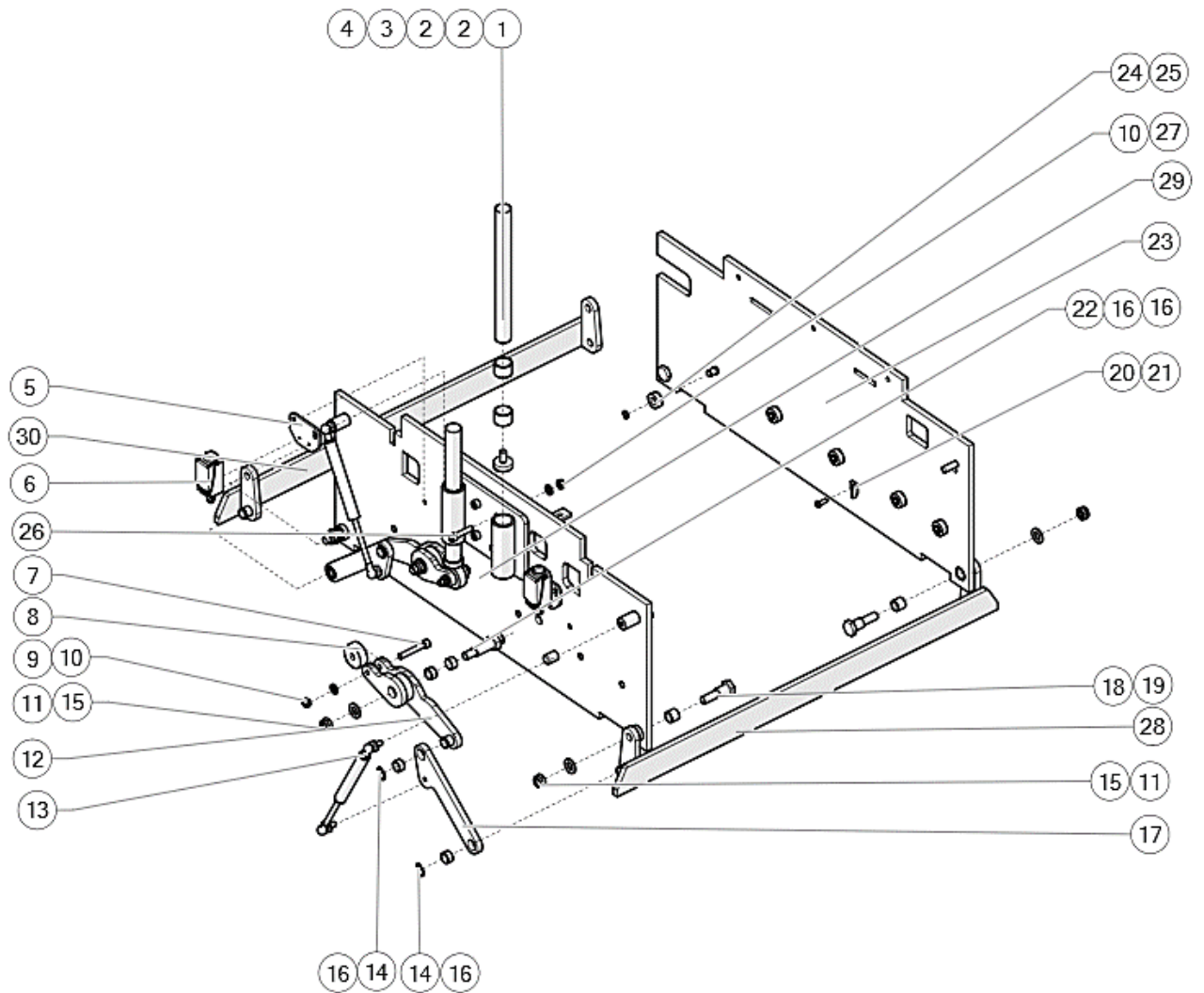
Item	Qty.	Description	Part No.
1	1	Steer Linkage	-
2	2	DIN912 - M8x12 - 8.8	S210804
3	1	Battery pack module assembly	10210200AA
4	1	Chassis top cover	10210010AA
5	5	ISO 7380 – M8x16 – 16C	S260806
6	4	ISO 4014 – M8x15 – 8.8	S200805
7	1	Entry ladder	10211000AA
8	1	Chassis back cover	10210011AA
9	4	DIN 912 – M6x16 – 8.8	S210606
10	2	Traction motor	SP_02_10_08
11	2	Tire	10210407AA
12	2	Tire cover	10210406AA
13	8	DIN 912 – M8x20 – 8.8	S210808

Steer Linkage



Item	Qty.	Description	Part No.
1	4	Washer	10210016AA
2	4	Busher	S311610
3	2	Pim	10210003AA
4	1	Steering sheet	10210002AA
5	1	Tire	10210407AA
6	2	Weldment	10210700AA
7	2	Tire linkage shaft 1	10210504AA
8	2	Tire linkage shaft 2	10210503AA
9	2	Washer DIN125-A	S011000
10	2	Circlip for shafts DIN 471	S131600
11	2	Nut ISO10511	S071000
12	2	Black delrin	10210001AA
13	4	Busher	10210503AA

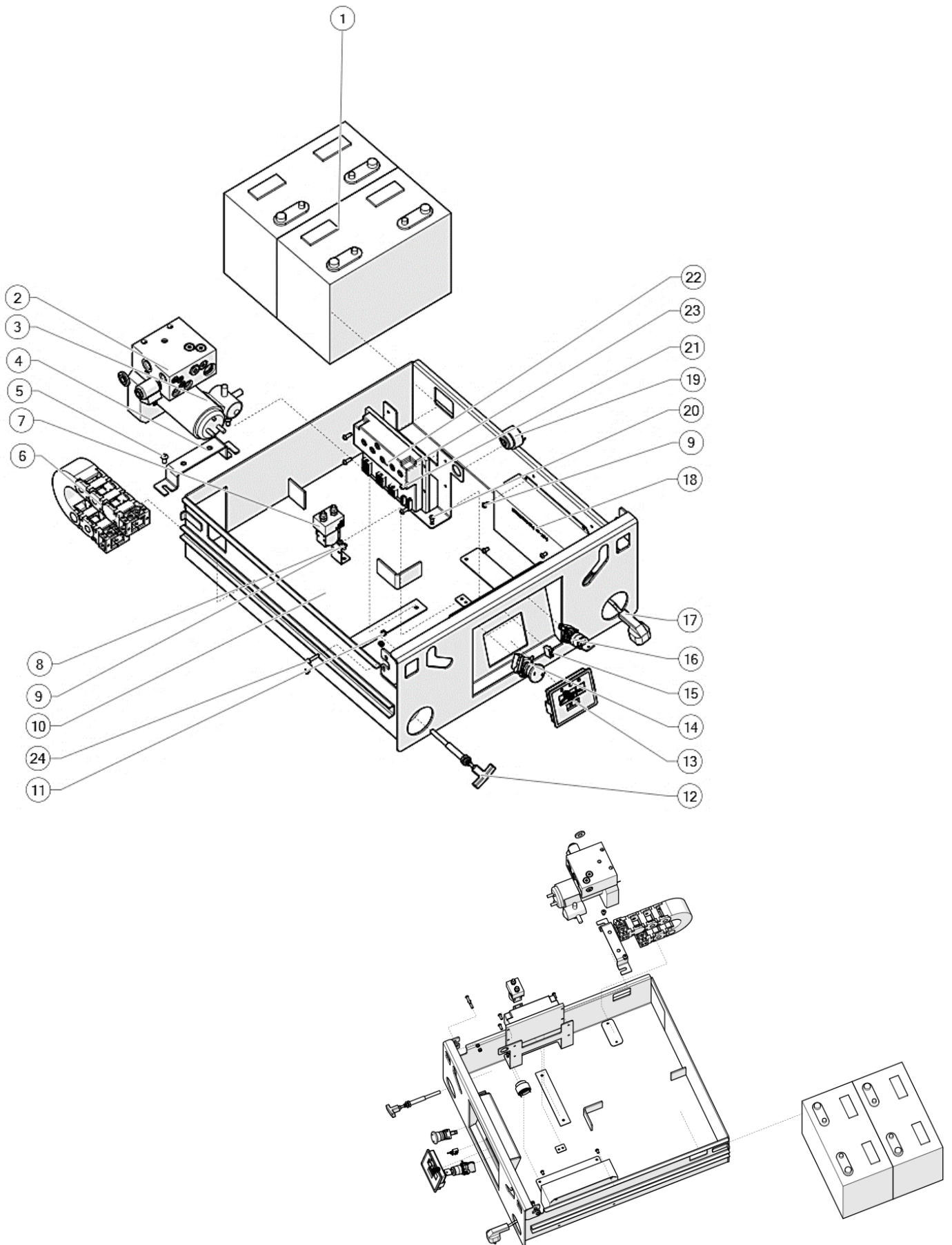
Pot Hole Protection Assembly



Item	Qty.	Description	Part No.
1	2	Pressure lever	10210008AA
2	4	Busher	S312520
3	2	Pothole shaft linkage	10210009AA
4	2	Pothole shaft place	10211300AA
5	2	Pothole switch linkage sheet	10210015
6	2	Pothole switch	POTHOLE SWITCH
7	2	DIN912 M8x50 8.8	S210814
8	2	Black delrin	10210007AA
9	6	Washer DIN 125 – A 8.4	S010800
10	6	DIN EN ISO 10511 M8-C	S070800
11	6	Washer DIN 125 – A 13	S011200
12	2	Weldment	10211100AA
13	2	Pothole amortisor	996010430410
14	4	Circlip	S131600
15	6	DIN EN ISO 10511 M12-C	S071200
16	8	Busher	S311610
17	2	Nether linkage	10210006AA
18	4	Pothole linkage bolt	10210004AA
19	4	Busher	S311615
20	2	Stopper	10210013AA
21	2	ISO 7380 – M6x16 – 16C	S260606
22	2	Pothole linkage bolt	10210005AA
23	1	Chassis sheet 2	10210106AA
24	10	Drawer wheel	10210014AA

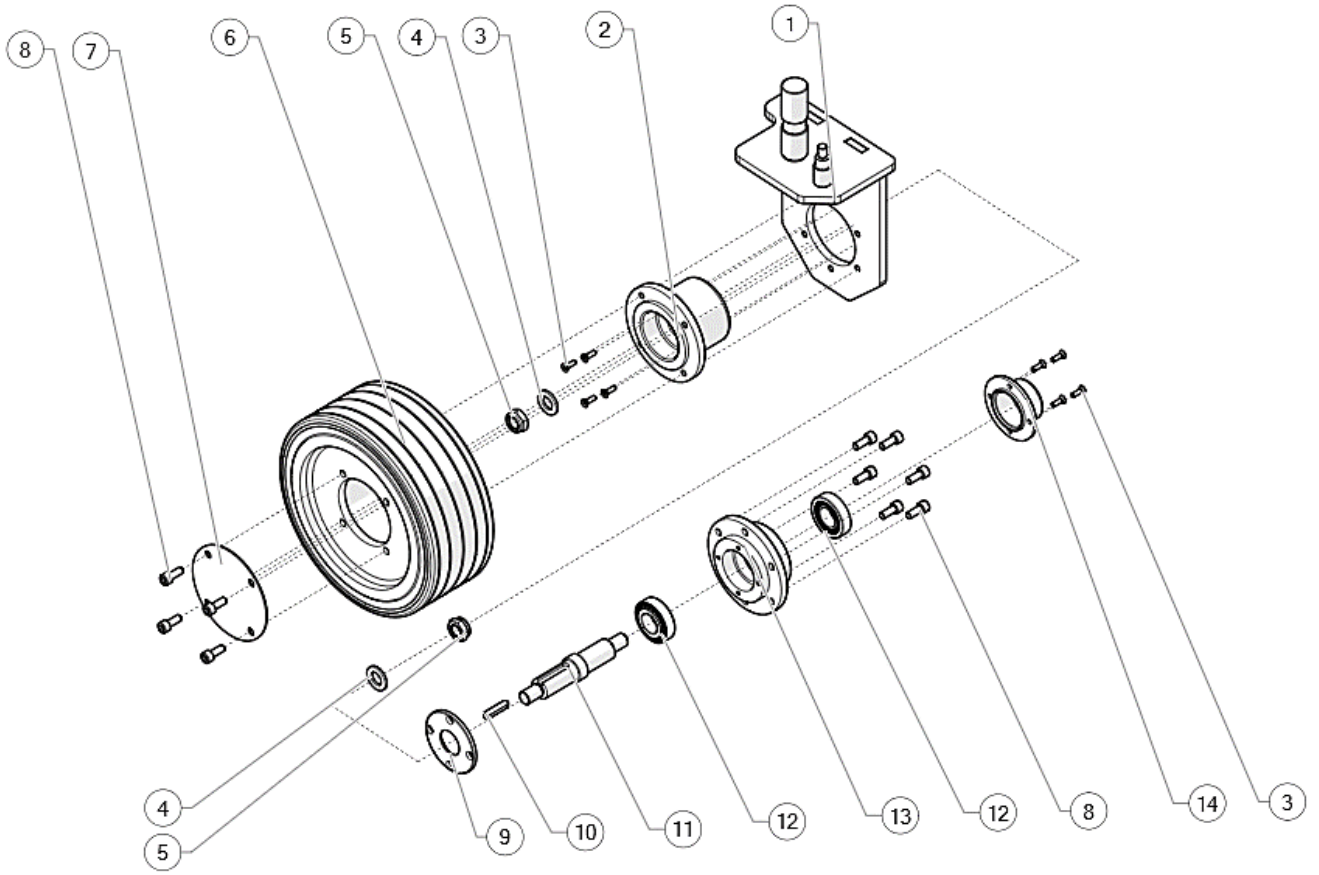
25	10	Circlip	B27.8M – 3DM1 - 10
26	4	DIN 912 M8x35 – 35C	S210811
27	6	Washer DIN 125 – A 8.4	S210800
28	2	Pothole sheet weldment 1	10210900AA
29	1	Chassis sheet 1	10210107AA
30	1	Pothole sheet weldment 2	10210800AA

Battery Pack Module



Item	Qty.	Description	Part No.
1	2	Battery	US 27 DC XC 2
2	1	Hydraulic Block	P20170709.HBMR.R1
3	1	Hydraulic blok linkage bracket	10210203AA
4	2	ISO 7380 – M8x16 – 16C	S260806
5	1	Kablo kanalı	ST044N
6	1	Main contactor	SW80 Albright
7	1	Main contactor linkage bracket	10210204AA
8	6	ISO 7380 – M6x10 – 10C	S260603
9	1	Drawer weldment	10210300AA
10	4	DIN EN ISO – M6 - C	S070600
11	1	Emergency lowering knob	AİT1 SB01
12	1	Diagnostic center	can-display
13	1	Emergency Stop	SCHNEIDER XB4 BS8442
14	1	Toggle switch	CNTD C513R
15	1	Platform-ground key switch	SCHNEIDER
16	1	Battery charger plug	FİŞ-2
17	1	Battery charger	ZENITH ZHF2420
18	1	Buzzer	Buzzer_FM-24D-905
19	2	ISO 7380 – M6X12 – 12C	S260604
20	4	ISO 7380 – M6X16 – 16C	S260606
21	1	Main controller	TS100
22	1	Controller linkage bracket	10210202AA
23	4	ISO 7380 – M6X25 – 25C	S260609

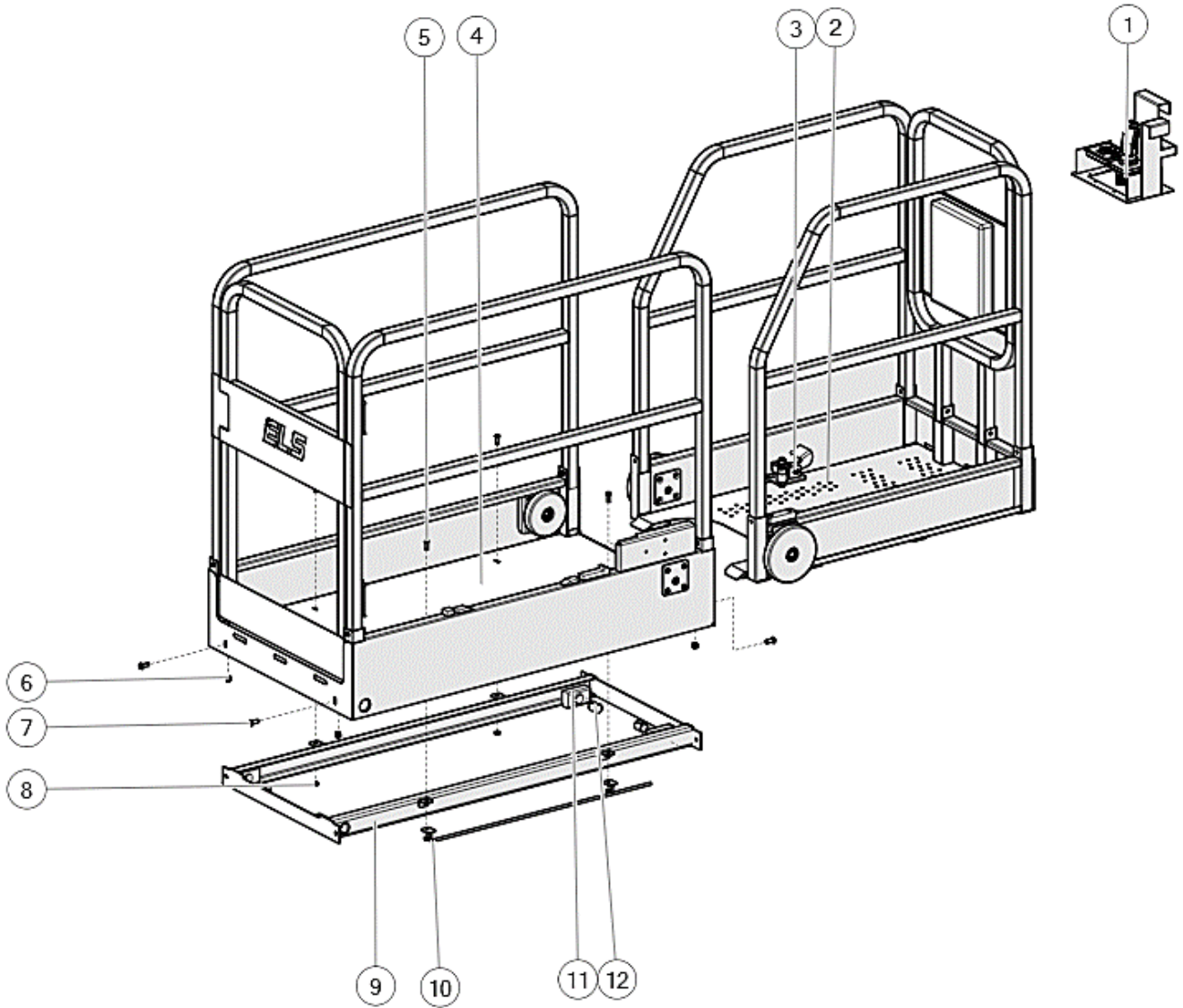
Drive Wheel Assembly



Item	Qty.	Description	Part No.
1	1	Tire linkage weldment	10210500AA
2	1	Coupler 1	10210401AA
3	8	DIN 7991 - M5X16 – 16C	S240506
4	2	Washer DIN 125 – A 17	S011600
5	2	DIN EN ISO 10511 – M16 - C	S071600
6	1	Tire	10210407AA
7	1	Tire cover	10210406AA
8	9	DIN 912 – M8x20 – 20C	S210808
9	1	Tire assembly middle cover	10210405AA
10	1	Key ISO 2491 8x5 - 36 - A	Square
11	1	Coupler shaft	10210402AA
12	2	Bearing	30205 J2_Q
13	1	Coupler 2	10210403AA
14	1	Tire assembly back cover	10210404AA

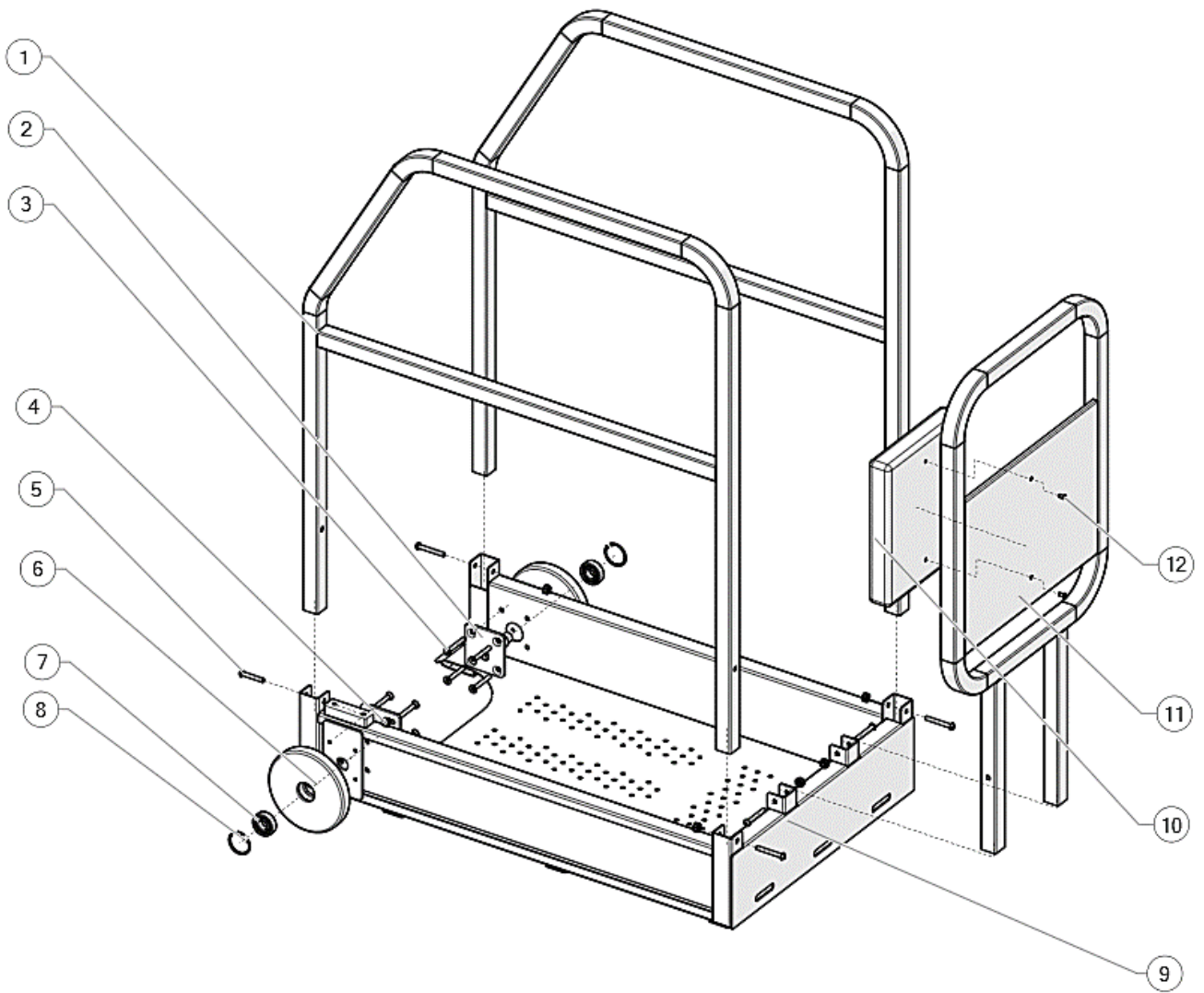
PLATFORM

Platform Assembly



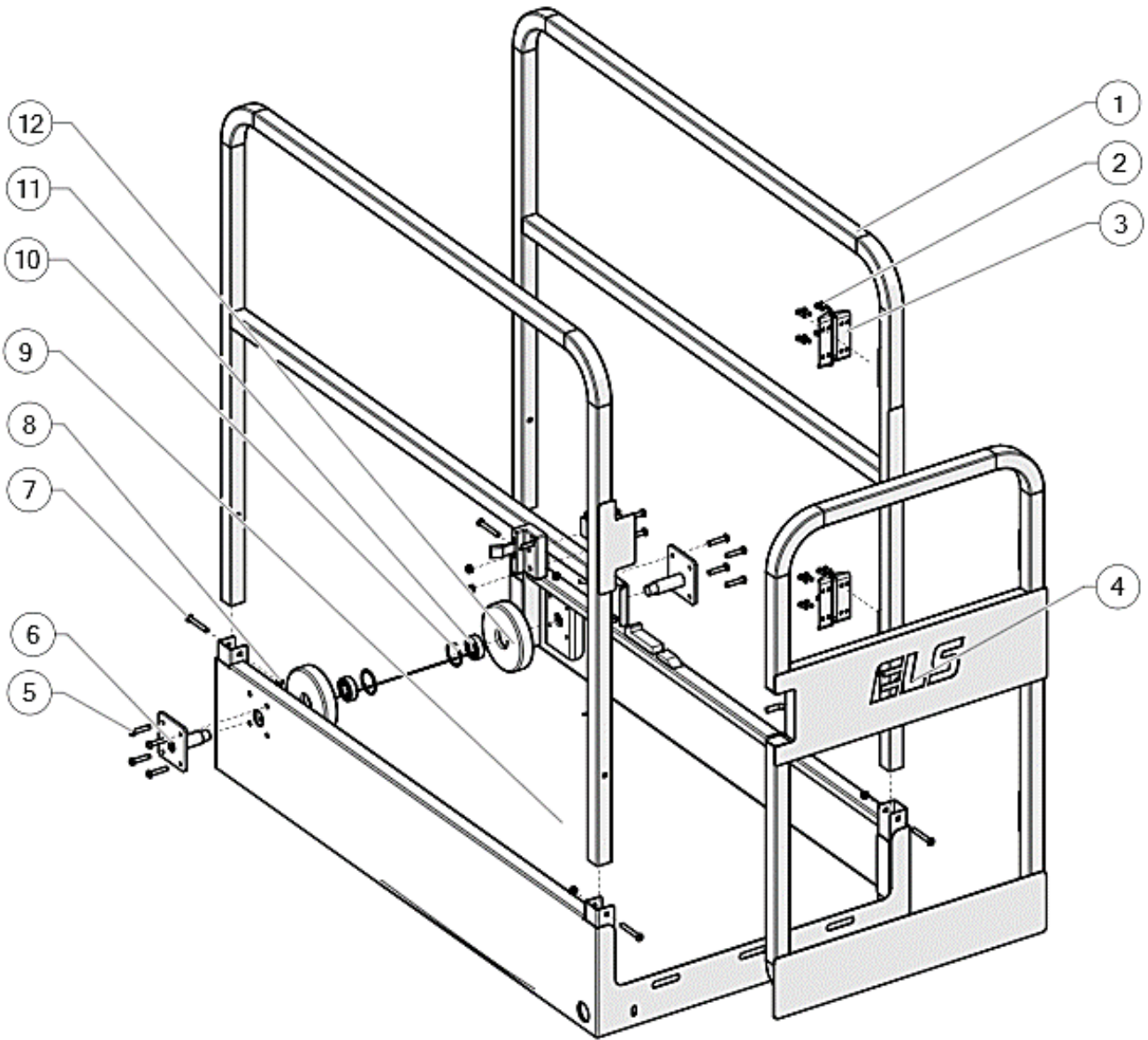
Item	Qty.	Description	Part No.
1	1	Joystick	10232000AA
2	1	Platform extention assembly	10230900AA
3	1	Platform extention lock	10231500AA
4	1	Main platform assembly	10230100AA
5	4	ISO 7380 - M8x25 - 25C	S260809
6	4	DIN EN ISO 10511 - M8 - C	S070800
7	4	ISO 7380 - M10x25 - 8.8	S261010
8	4	DIN EN ISO 10511 – M10 - C	S071000
9	1	Base carcass	10231800AA
10	1	Cable transport bracket	10232100AA
11	2	Black delrin	10230001AA
12	4	Busher	S312530

Main Platform Assembly



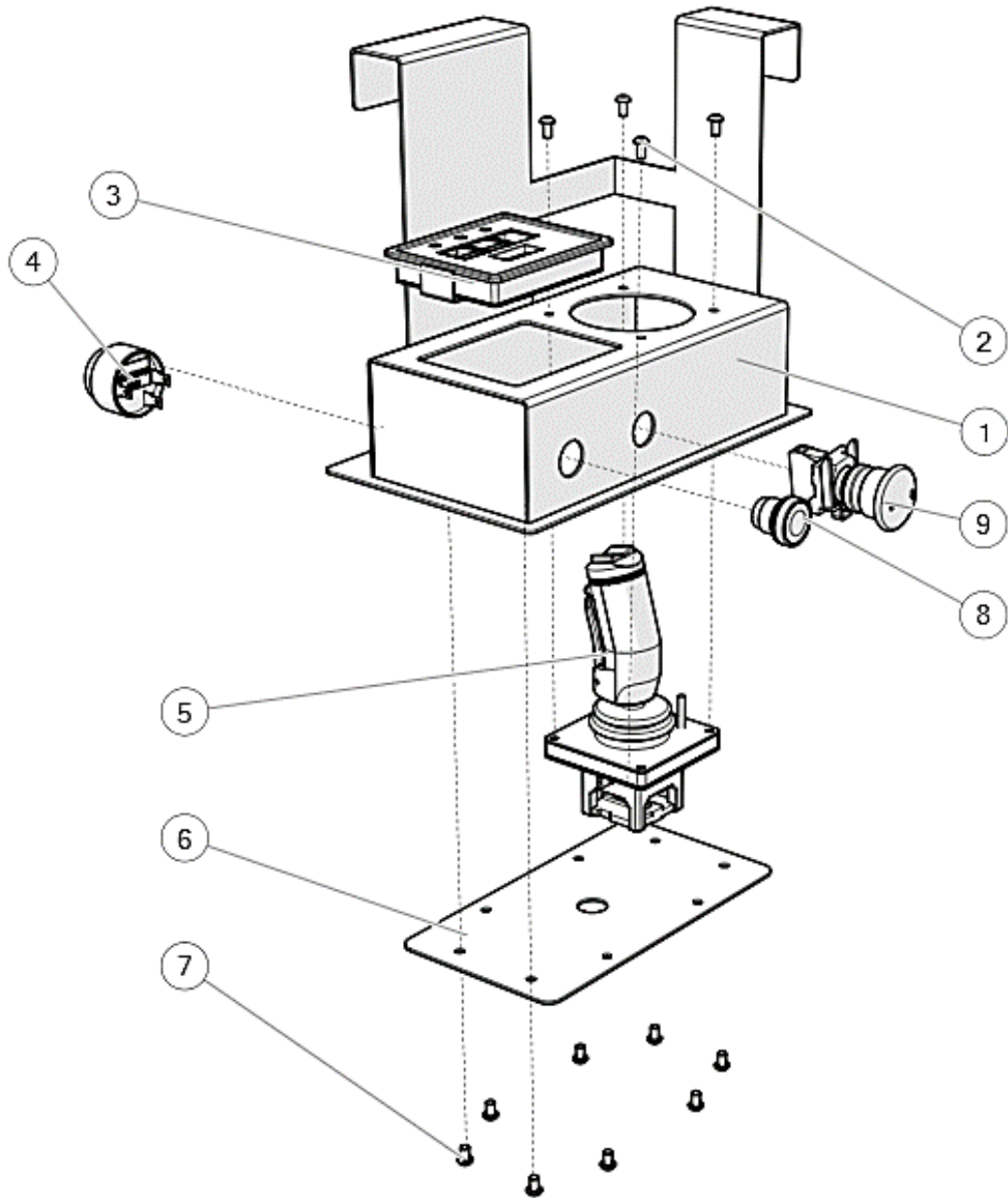
Item	Qty.	Description	Part No.
1	2	Platform guard rail 1	10231400AA
2	2	Platform tire linkage weldment	10230800AA
3	13	ISO 7380 - M8x60 8.8	S260816
4	6	DIN EN ISO 10511 - M10 - C	S071000
5	1	ISO 7380 – M8x50 8.8	S260814
6	2	Platform tire	10230901AA
7	2	Bearing SKF - 6004	S406004
8	2	Circlip DIN 472 - 42x1.75	S114200
9	1	Platform ground weldment	10231000AA
10	1	Manual storage box	ZJ1000004
11	1	Platform guard rail 2	10231300AA
12	2	ISO 380 – M6x12 8.8	S260604

Platform Extension Assembly



Item	Qty.	Description	Part No.
1	2	Platform guard rail 1	10230400AA
2	16	ISO 7380 – M5x20 – 20C	S260508
3	2	Hinge assembly	10230600AA
4	1	Platform entry gate	10230800AA
5	8	ISO 7380 - M8x50 – 50C	S260814
6	2	Platform tire linkage weldment	10230800AA
7	4	ISO 7380 - M8x60 – 60C	S260816
8	4	DIN EN ISO 10511 – M8 - C	S070800
9	1	Platform ground weldment	10230200AA
10	2	Circlip DIN 472 - 42x1.75	S114200
11	2	Bearing SKF - 6004	S406004
12	2	Platform tire	10230701AA

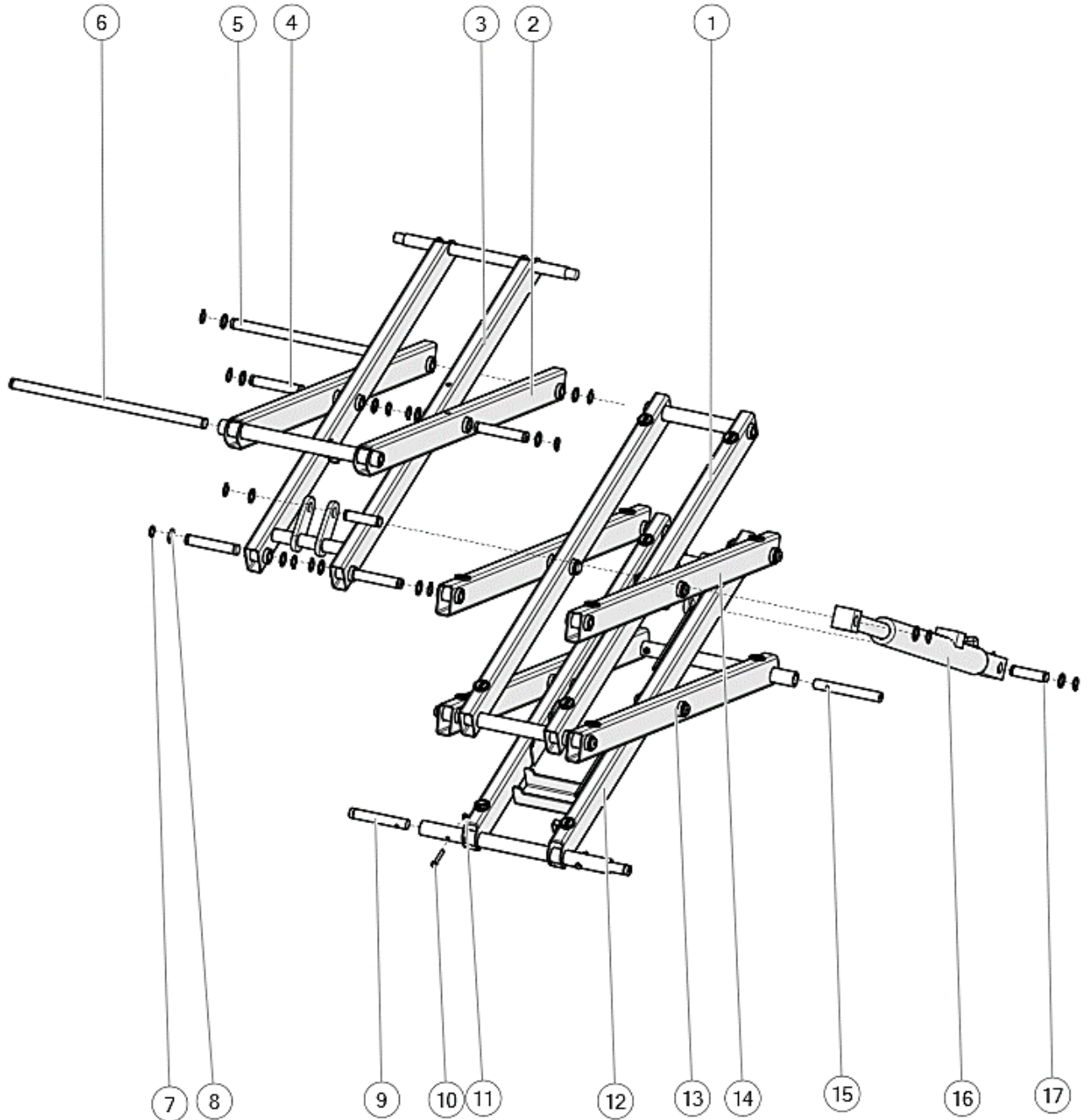
Joystick Assembly



Item	Qty.	Description	Part No.
1	1	Joystick box	10231900AA
2	4	ISO 7380 - M5x10 - 10C	S260503
3	1	Can display	
4	1	Buzzer	FM-24D-905
5	1	Joystick	
6	1	Joystick box cover	10232001AA
7	8	ISO 7380 - M6x10 - 10C	S260603
8	1	Horn button	ZB4BA2
9	1	Emergency stop	XB4BS8442

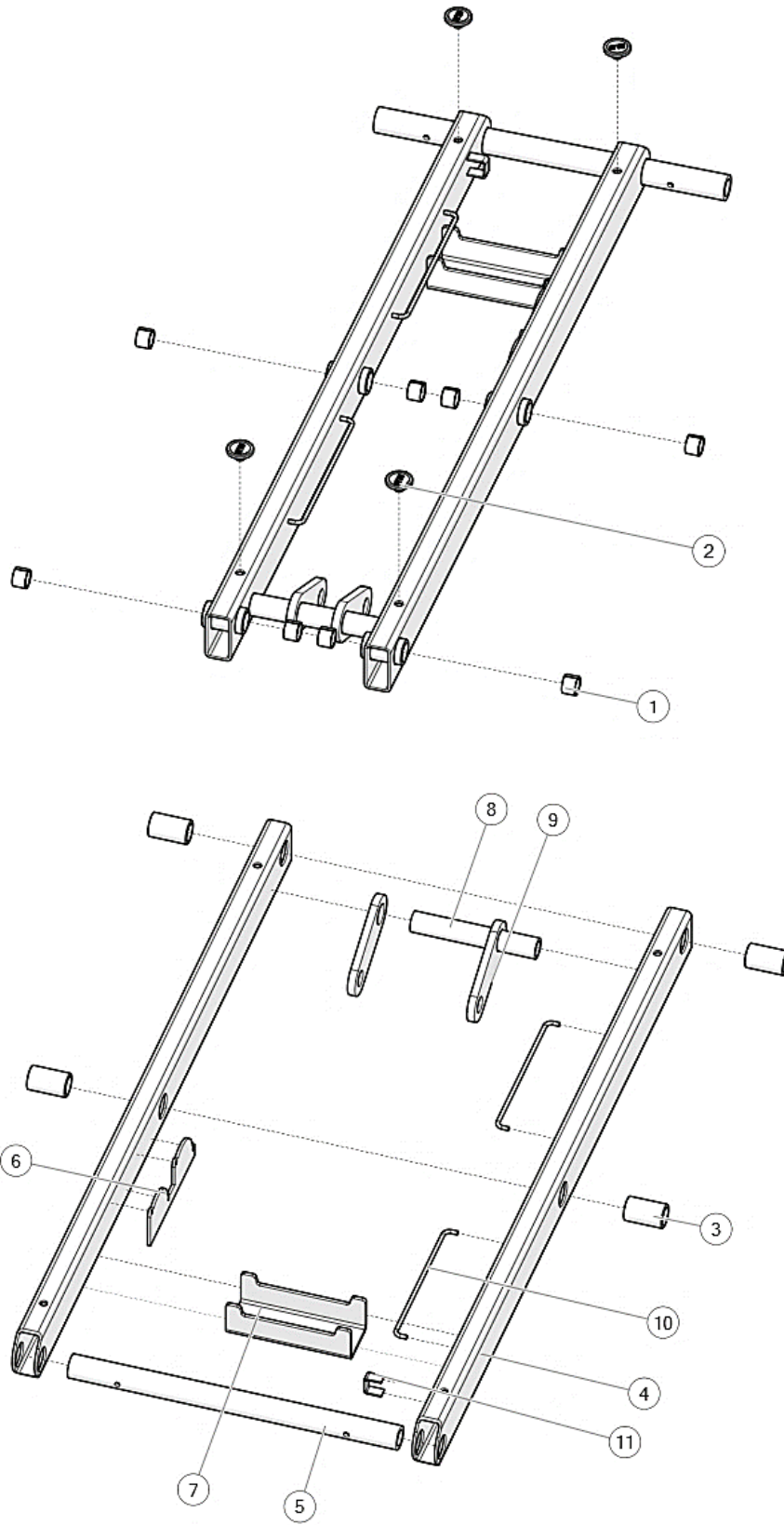
SCISSORS

Scissors Assembly

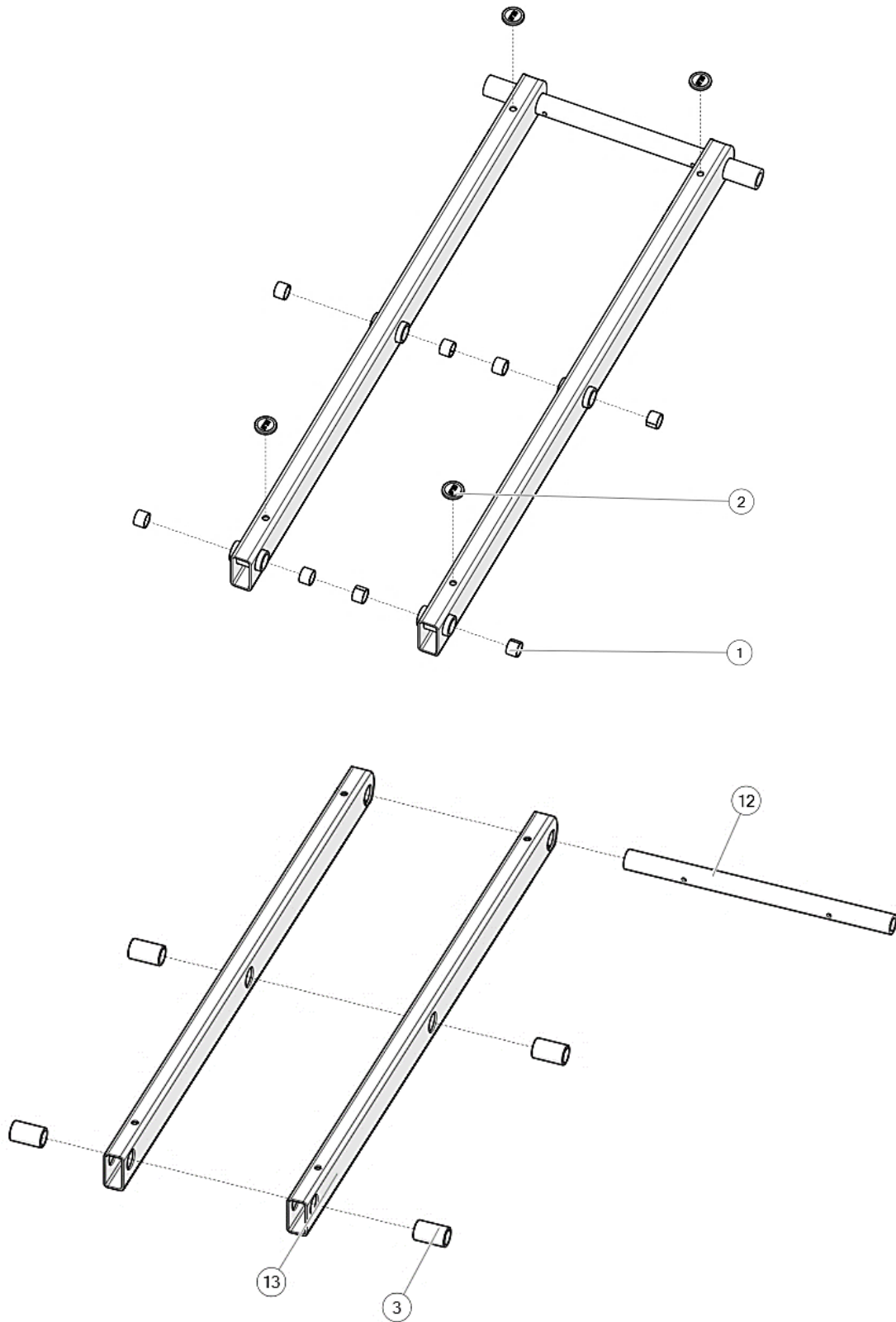


Item	Qty.	Description	Part No.
1	1	Scissor assembly 3	10220500AA
2	1	Scissor assembly 6	10221100AA
3	1	Scissor assembly 5	10220900AA
4	10	Shaft 1	10220003AA
5	2	Shaft 2	10220004AA
6	1	Shaft 3	10220006AA
7	28	Circlip DIN 471 - 25x2	S142500
8	28	Washer	10220007AA
9	2	Shaft 4	10220001AA
10	4	ISO 4014 - M8x50 - 50C	S200814
11	4	DIN EN ISO 10511 - M8 - C	S070800
12	1	Scissor assembly 1	10220100AA
13	1	Scissor assembly 2	10220300AA
14	2	Scissor assembly 4	10220700AA
15	2	Shaft 5	10220002AA
16	1	Hydraulic cylinder	
17	2	Shaft 6	10220005AA

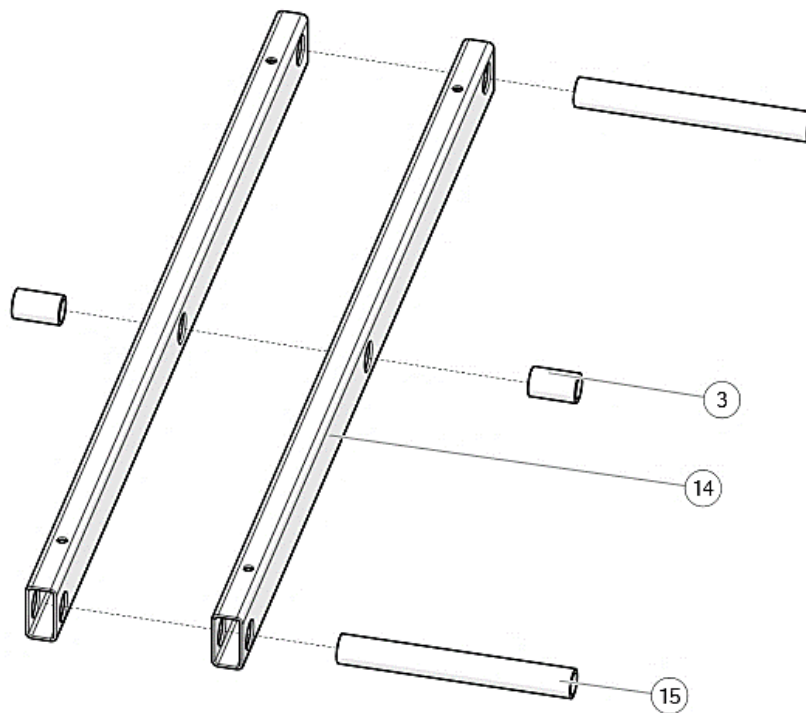
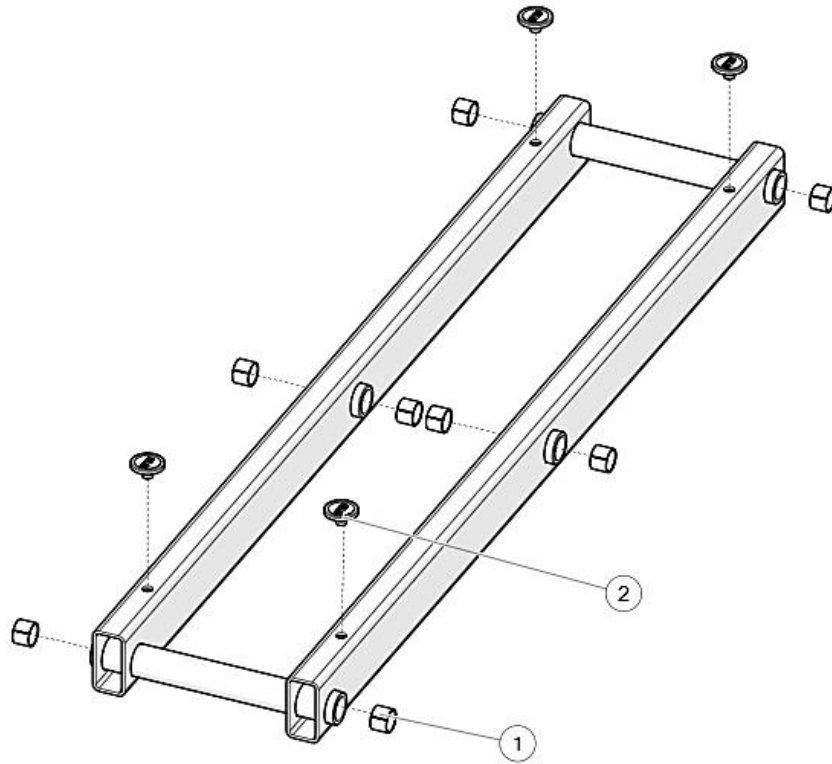
Scissors Group 1 Assembly



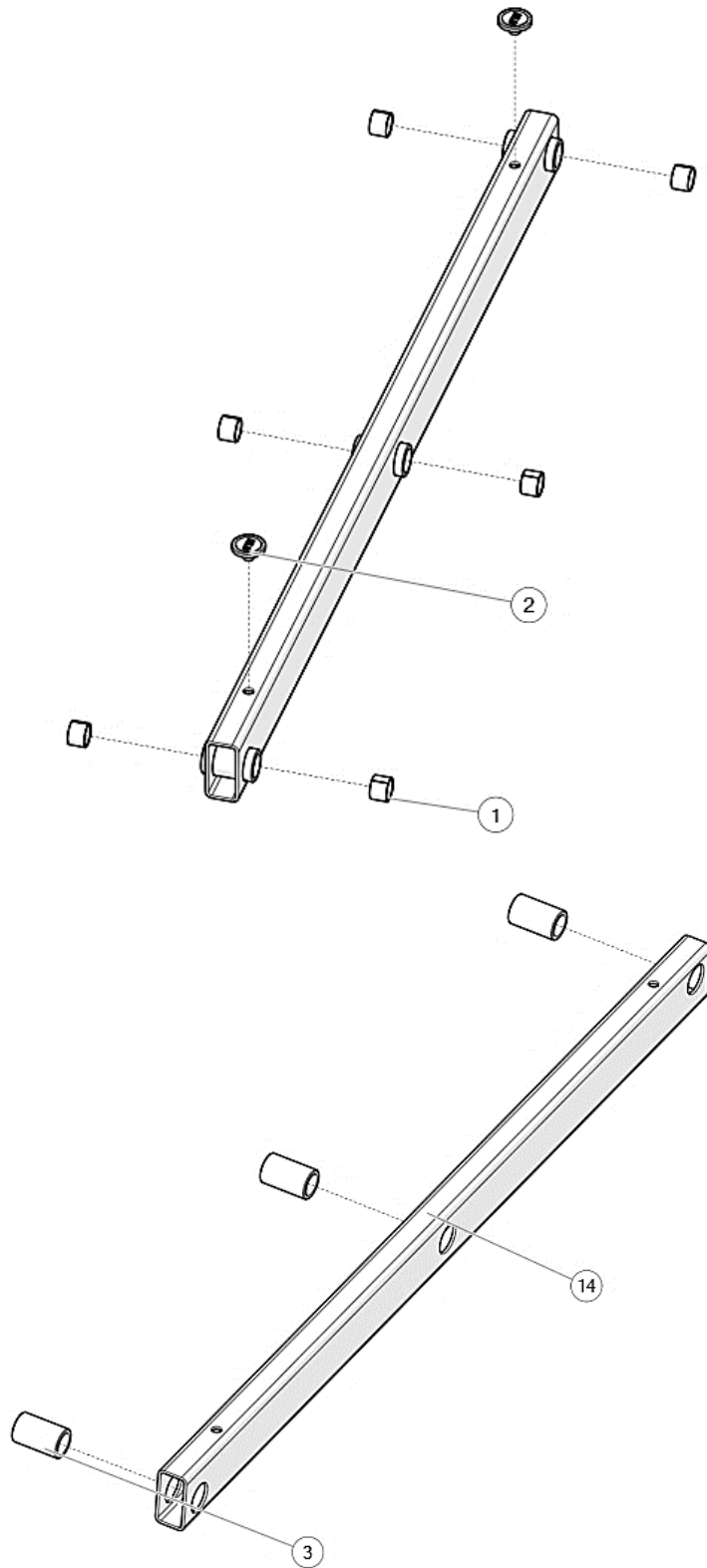
Scissors Group 2 Assembly



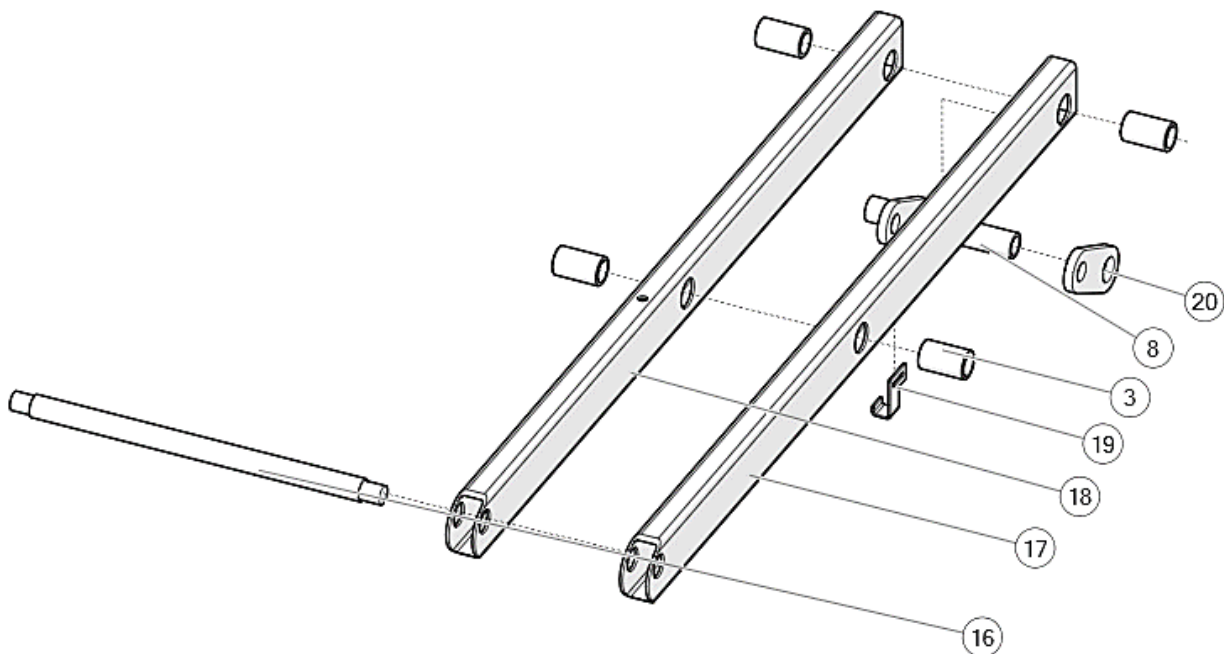
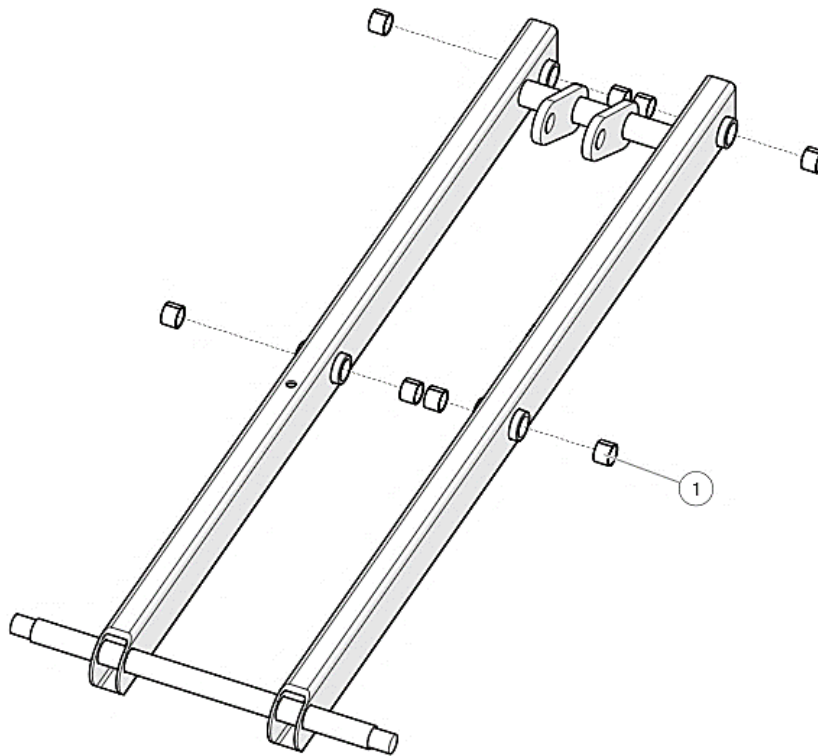
Scissors Group 3 Assembly



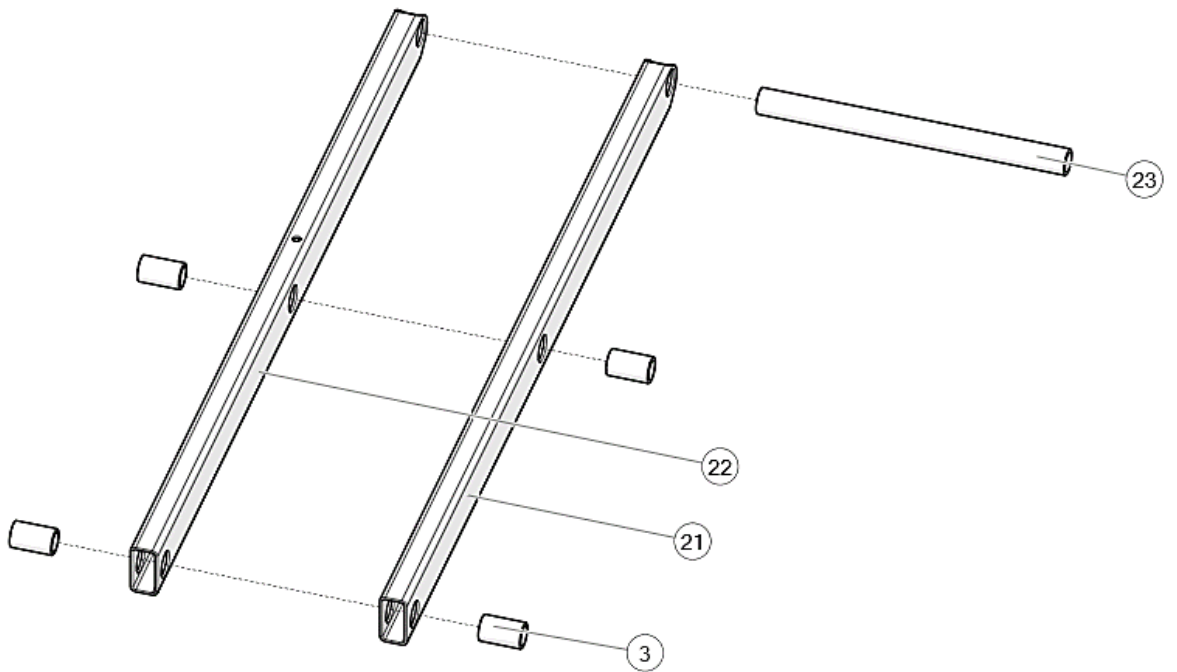
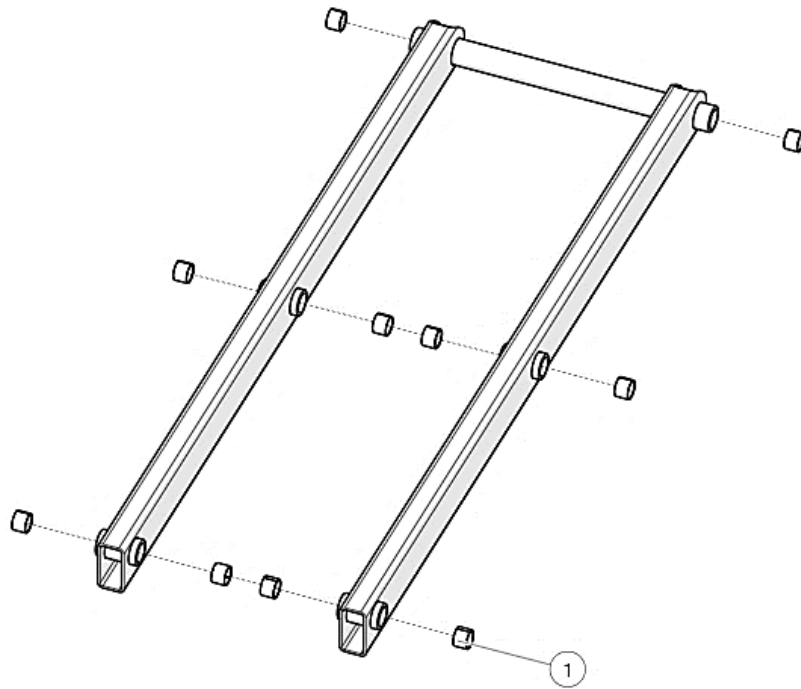
Scissors Group 4 Assembly



Scissors Group 5 Assembly

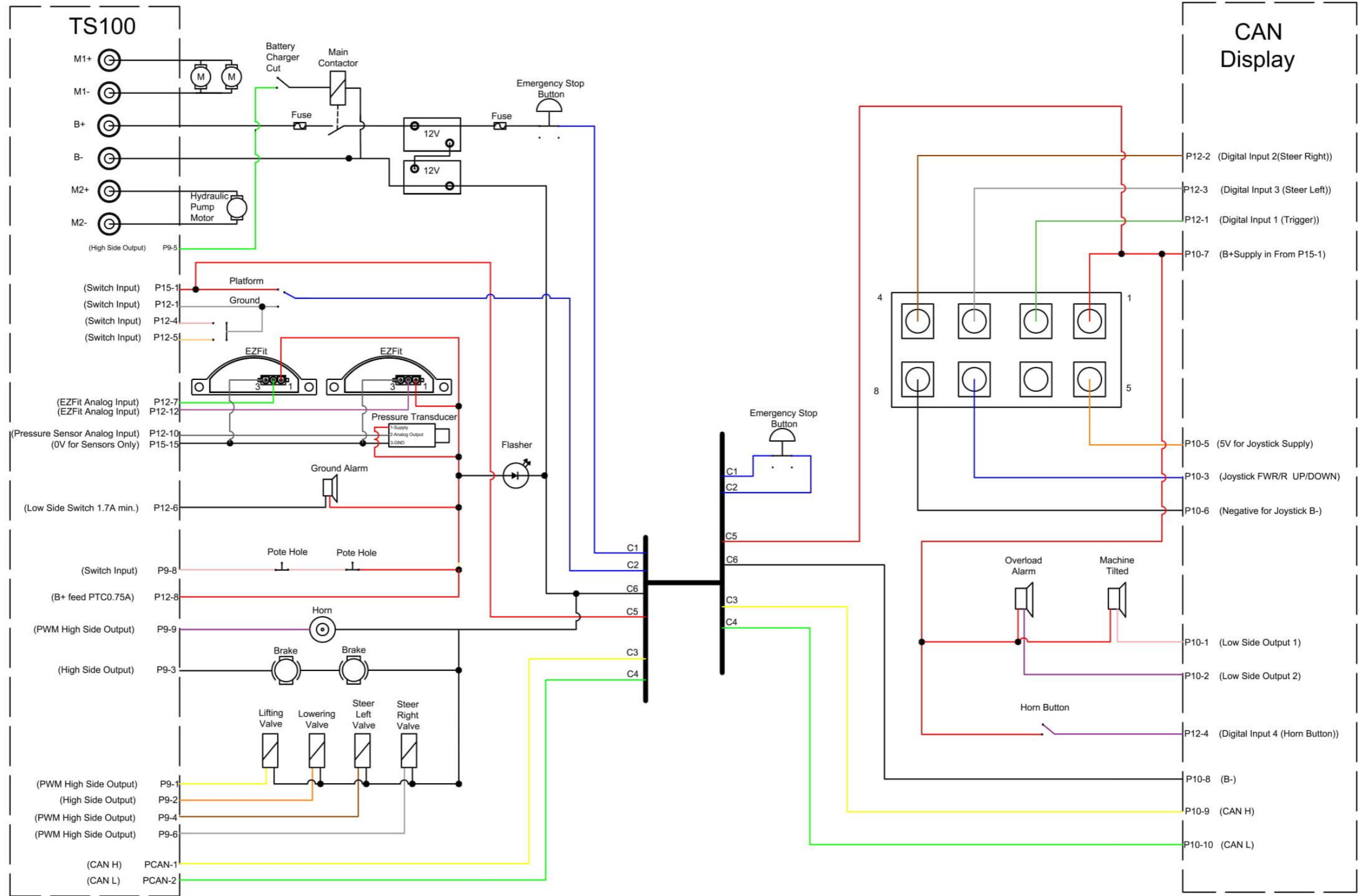


Scissors Group 6 Assembly



Item	Qty.	Description	Part No.
1	48	Busher 1	S312520
2	14	Tap	10220101AA
3	21	Busher 2	10220208AA
4	2	Scissor 1	10220209AA
5	1	Shaft 1	10220203AA
6	1	Angle sensors linkage weldment	10220207AA
7	1	Pothole pressure weldment	10220204AA
8	2	Shaft 2	10220201AA
9	2	Cylinder linkage weldment	10220202AA
10	2	Cable transport bracket	10220205AA
11	1	Cable transport bracket 2	10220206AA
12	1	Shaft 2	10220402AA
13	1	Scissor 2	10220401AA
14	3	Scissor 3	10220601AA
15	2	Shaft 3	10220602AA
16	1	Shaft 4	10221004AA
17	1	Scissor 4	10221002AA
18	1	Scissor 5	20121001AA
19	1	Maintenance bar support bracket	10221005AA
20	2	Cylinder linkage weldment 2	10221003AA
21	1	Scissor 6	10221201AA
22	1	Scissor 7	10221202AA
23	1	Shaft 5	10221203AA

ELECTRICAL CIRCUIT DIAGRAM

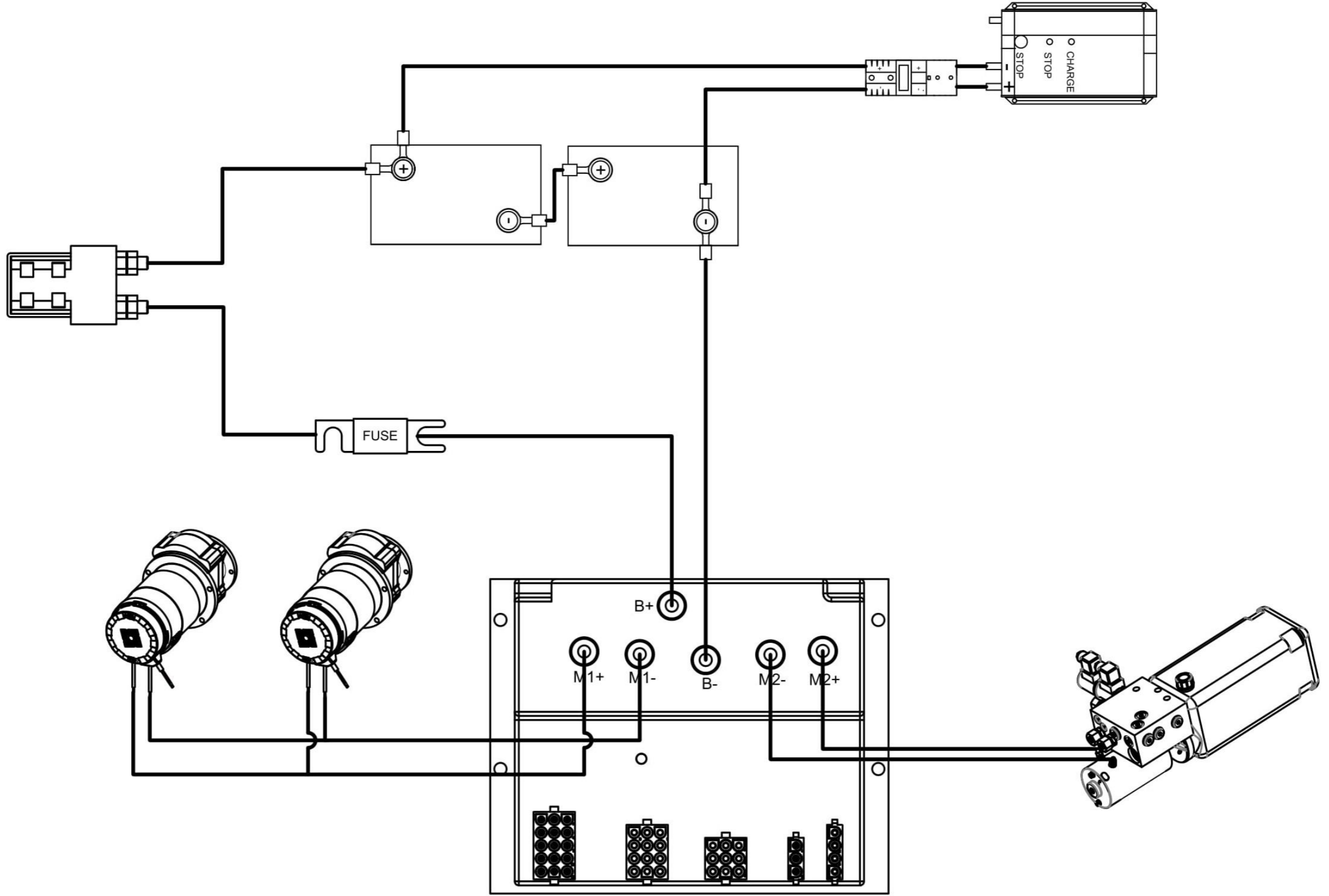


Bu doküman ELS MAKİNE'ye aittir. Her hakkı mahfuzdur. İzinsiz kullanılamaz, kopya edilemez, üçüncü şahıslara devredilemez. DİKKAT: Üzerinden ölçü almayınız.

ELS LIFT
 Elsisan Makine San. Tic. A.Ş.,
 Organize Sanayi Bölgesi
 Lacivert Caddesi No:11
 16140 Nilüfer/Bursa/TÜRKİYE
 T: +90 224 241 30 90 F: +90 224 242 90 20
 www.elsisan.com - www.elslift.com

Makina Adı	Çizen	Onaylayan	Tarih	Resim No.
EL Junior 5.5 SP	Nuriye Seval KAYA	Koray ERKEKLİ	22.10.2018	D10210100AA

POWER CABLE DIAGRAM



ELS LIFT

Elsisan Makine San. Tic. A.Ş.
Organize Sanayi Bölgesi
Lacivert Cadde No:11
16140 Nilüfer/Bursa/TÜRKİYE
T: +90 224 241 30 90 F: +90 224 242 90 20
www.elsisan.com - www.elslift.com

Makina Adı

EL Junior 5.5 SP

Çizen

Nuriye Seval KAYA

Onaylayan

Koray ERKEKLİ

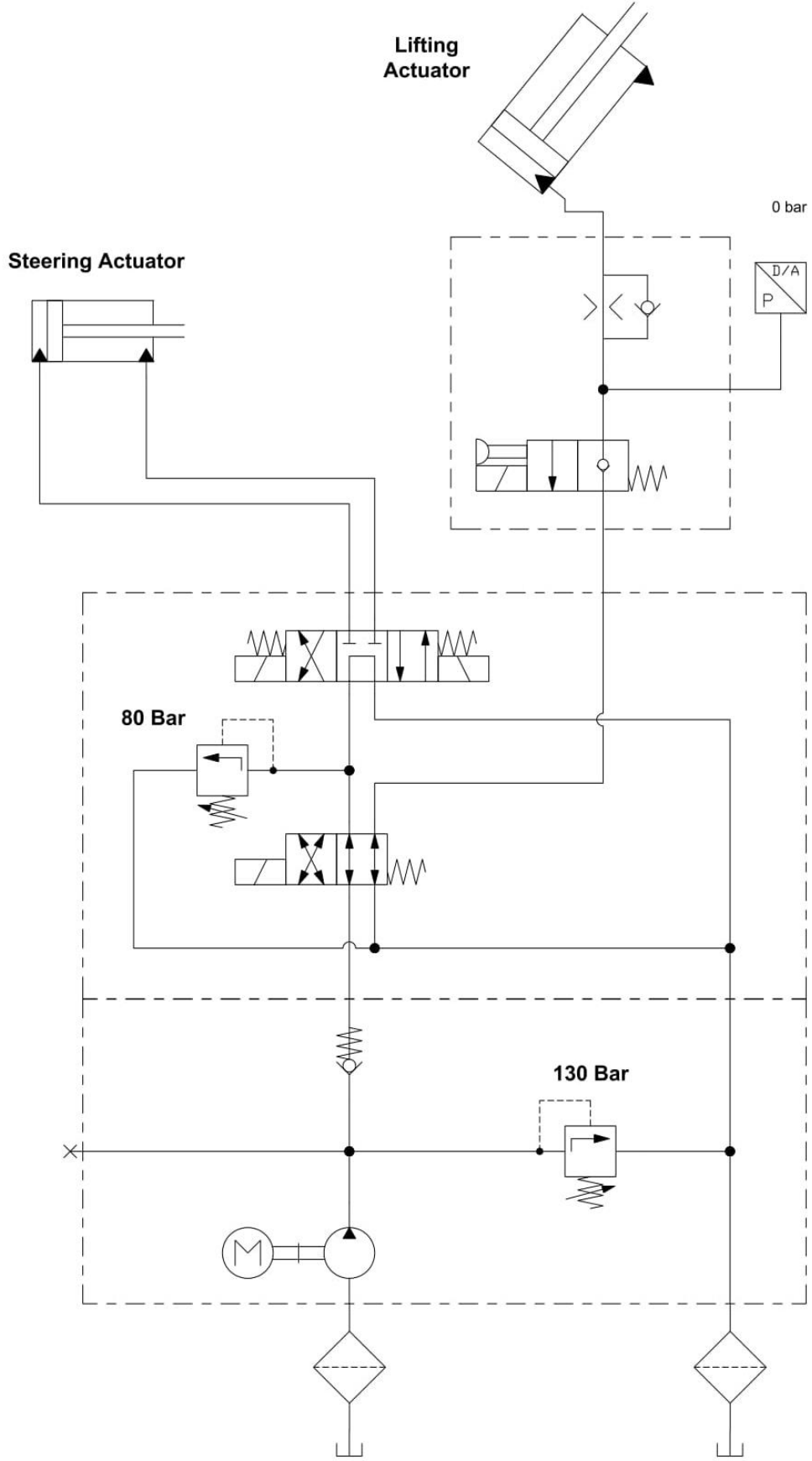
Tarih

22.10.2018

Resim No.

D10210200AA

HYDRAULIC CIRCUIT DIAGRAM



ELS LIFT

Elsisan Makine San. Ticç A.Ş.
Organize Sanayi Bölgesi
Lacivert Cadde No:11
16140 Nilüfer/Bursa/TÜRKİYE

T: +90 224 241 30 90 F: +90 224 242 90 20
www.elsisan.com - www.elslift.com

Makina Adı

EL Junior 5.5 SP

Çizen

Koray ERKEKLİ

Onaylayan

Koray ERKEKLİ

Tarih

22.10.2018

Resim No.

D10220100AA