

Part Manual

EL 10 - T

EL 8 - T

Serial Number

18013XXX-PRESENT

Rev. No: 01

ELS LIFT

CE

**OUTPOWER
THE GRAVITY.**

TABLE OF CONTENTS

GENERAL INFORMATION	3
INTRODUCTION	3
DESCRIPTION	3
HOW TO ORDER PARTS	4
PARTS ORDER FORM	4
LEGEND	6
EL 8-T LOCATION OF SAFETY INDICATORS	7
EL 10-T LOCATION OF SAFETY INDICATORS	8
List of Symbols and Hazard Legends.....	9
Description of Symbols and Hazard Legends	10
CHASSIS	13
Chassis Assembly	13
Steer Linkage and Drive Wheel Assembly	17
Pot Hole Protection Assembly	19
Battery Pack Module	21
Hydraulic Pack Module	23
Hydraulic Pack	23
Electronic Control Unit	25
Hydraulic Manifold	27
Scissors Assembly Installation	29
PLATFORM	31
Platform Assembly.....	31
Main Platform Assembly	33
Platform Extention Assembly.....	35
Joystick Assembly	37
SCISSOR.....	39
EL 8-T SCISSOR GROUP	39
Scissor Assembly	39
Scisor Group 1 Assembly	42
Scisor Group 2 Assembly	45
Scisor Group 3 Assembly	47
EL 10-T SCISSOR GROUP	49
Scissor Assembly	49
Scisor Group 1 Assembly	52

Scisor Group 2 Assembly 55

Scisor Group 3 Assembly 57

Scisor Group 4 Assembly 59

Cylinder Manifold 61

ELECTRICAL WIRING DIAGRAM 63

 EL 10-T EL 8-T Electrical Wiring Diagram 64

POWER CABLE DIAGRAM 67

 EL 10-T EL 8-T Power Cable Diagram 68

HYDRAULIC CIRCUIT DIAGRAM 70

 EL 10-T EL 8-T Hydraulic Circuit Diagram 71

 EL 10-T EL 8-T Hydraulic Circuit List 72

GENERAL INFORMATION

INTRODUCTION

This manual introduces the detailed information about machine spare parts. Every person who maintains, inspects, tests or repairs the machine must be qualified and authorized to do.

You should contact ELS Lift when you come across a situation other than described in this part manual.

Contact Us: info@elslift.com

aftersales@elslift.com

DESCRIPTION

Machine Designation: Machines are identified by the manufacture, according to some technical specifications of the machine.

Description of Part Table: Every figure has a table which is described of part's quantity, item, number, description.

Part Manual Layout: Manual is designed under section titles of machine. Chassis, platform, scissors are examples of some titles of machine.

Non-Servised Parts: In some cases, it is necessary to Show the parts and assemblies that do not require non-servised parts. These parts in the part table are indicated as "no longer used" or "not sold seperately".

! USE THE ORIGINAL ELS SPARE PARTS FOR YOUR SAFETY !

HOW TO ORDER PARTS

When ordering replacement parts, please have the following machine information.

- ✓ Machine model number
- ✓ Machine serial number
- ✓ ELS part number
- ✓ Description of part
- ✓ Quantity of part
- ✓ Purchase order number
- ✓ Vat number
- ✓ Address for order to ship
- ✓ Desired method of shipment

Use the Part Order Form on the next page and mail or call your order to our After Sales Department.

PARTS ORDER FORM

Machine Model Number	
Machine Serial Number	
ELS Part Number	
Description of Part	
Quantity of Part	
Purchase Order Number	
Vat Number	
Address for Order to Ship	
Desired Method of Shipment	

Turkey

Els Lift Makine Sanayi Ticaret A.Ş

Organize Sanayi Bölgesi Lacivert Cadde No:11

16140 Nilüfer/Bursa / TÜRKİYE

info@elslift.com

aftersales@elslift.com

Tel: [+90 542 464 82 50](tel:+905424648250)

France

Metaloc

11-17 Rue Constantin Pecqueur

95150 Taverny, FRANCE

www.metaloc.fr

contact@metaloc.fr

Tel: [01 30 40 20 99](tel:0130402099)

Germany

Kunze GmbH

Hermann-Oberth-Straße 3

D - 83052 Bruckmühl

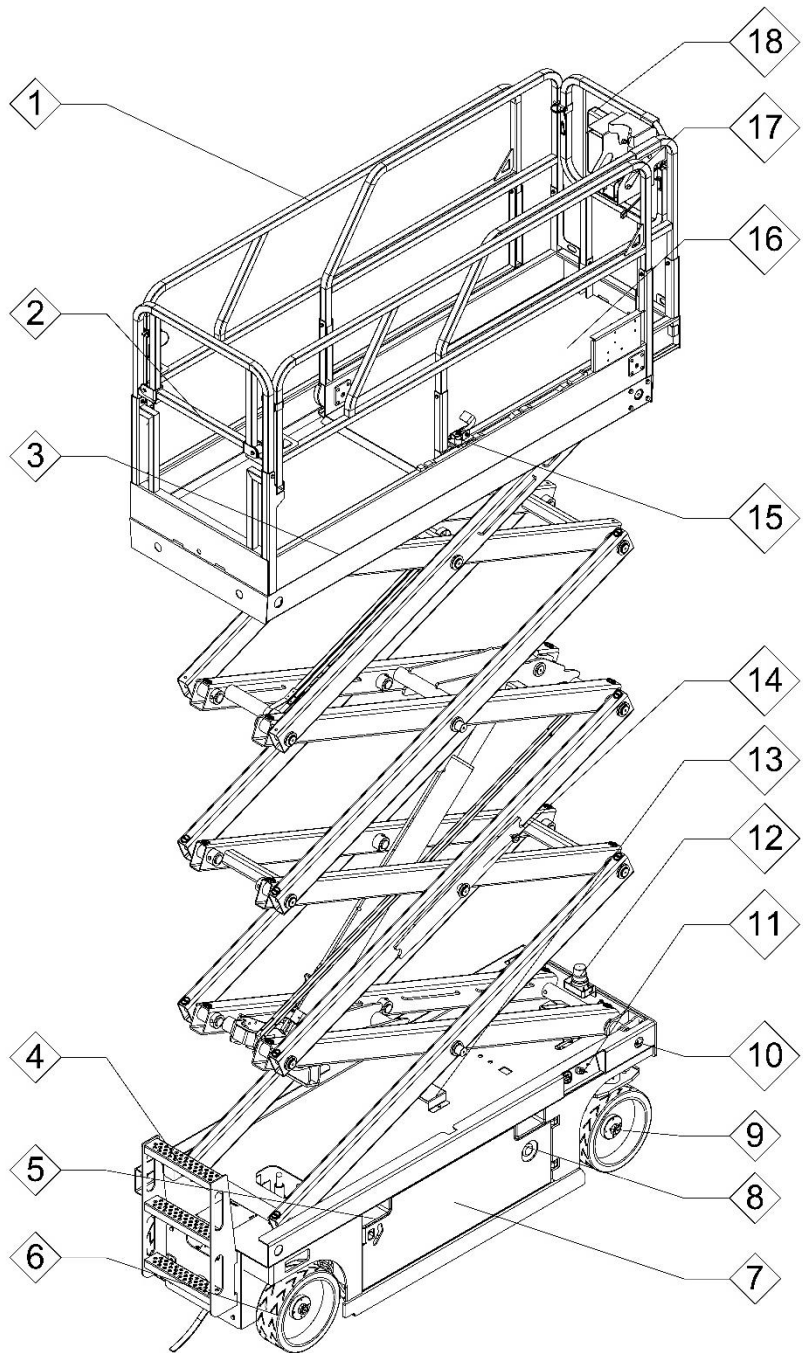
www.kunze-buehnen.com

info@kunze-buehnen.com

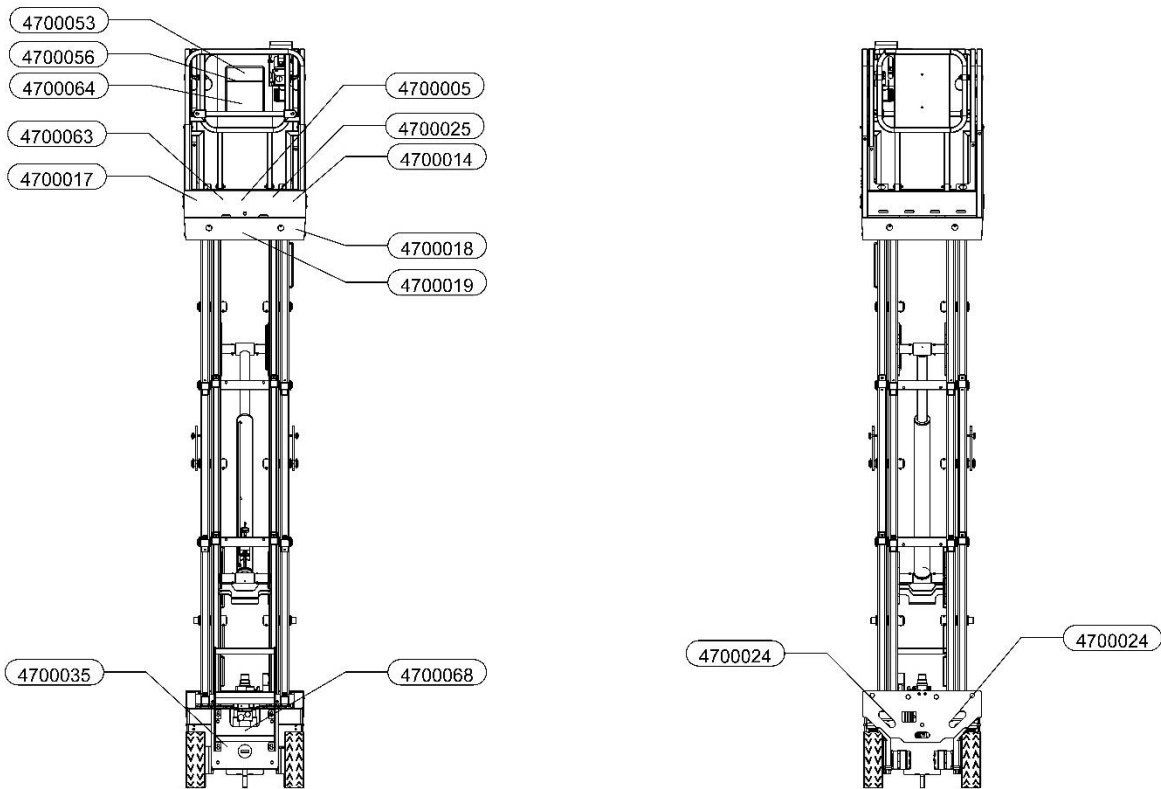
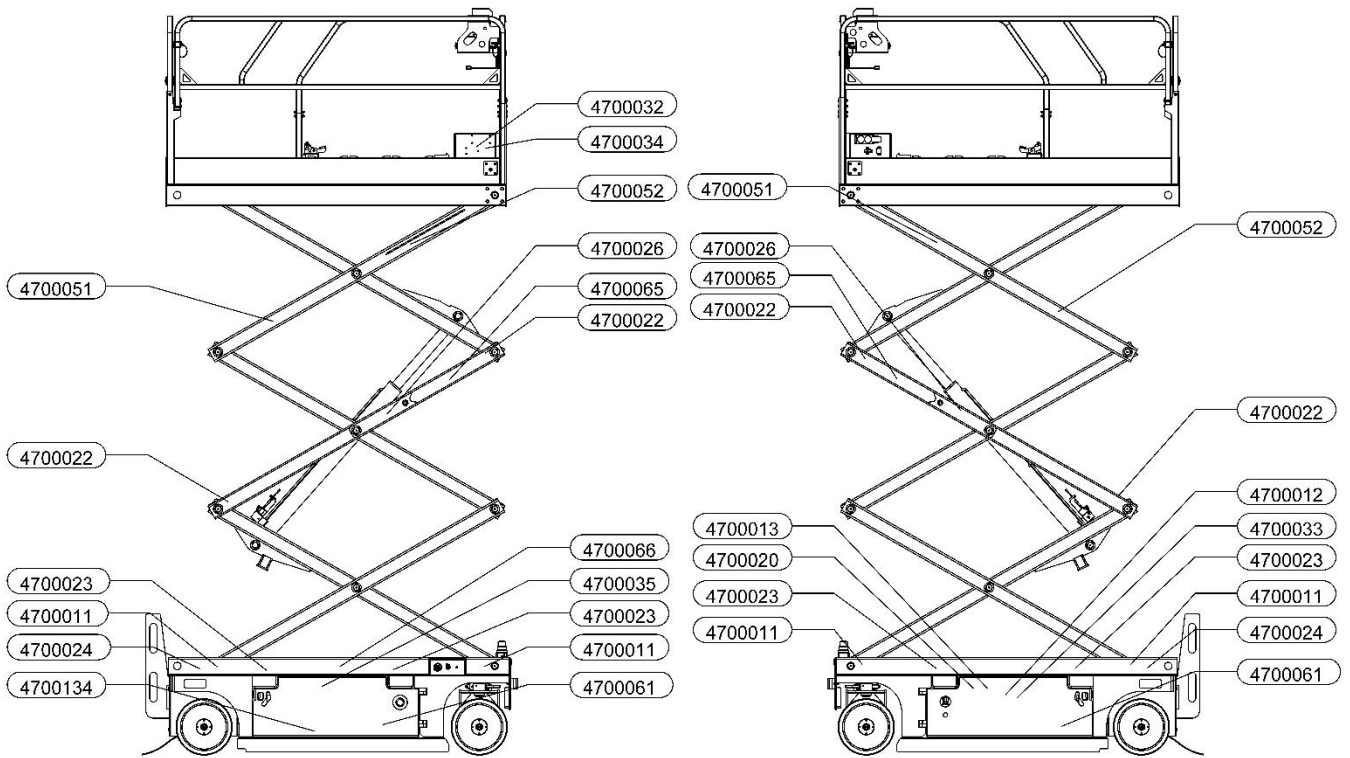
Tel: [+49 \(0\)8062/72611-0](tel:+4908062726110)

LEGEND

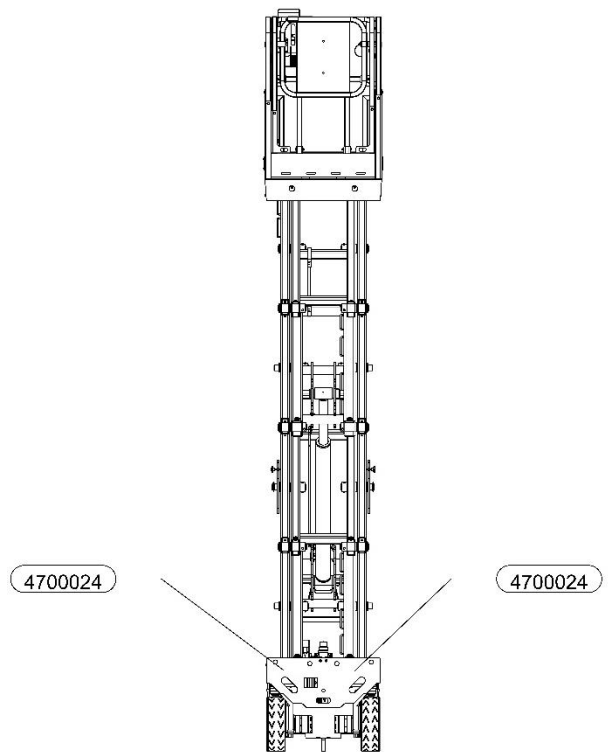
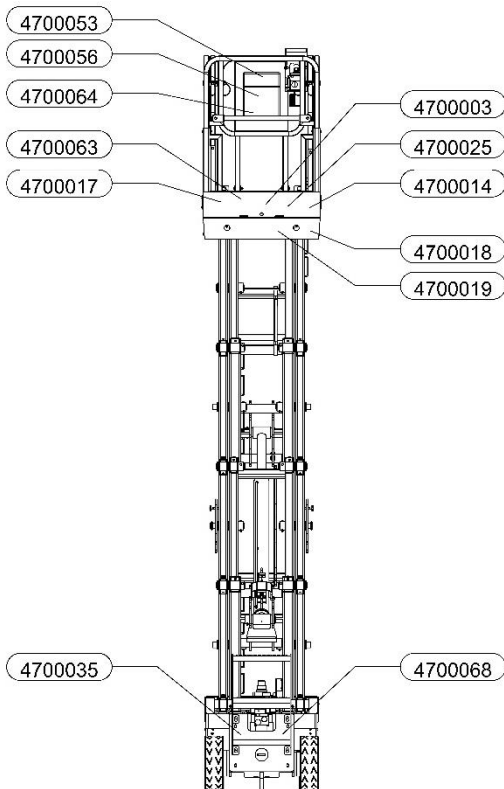
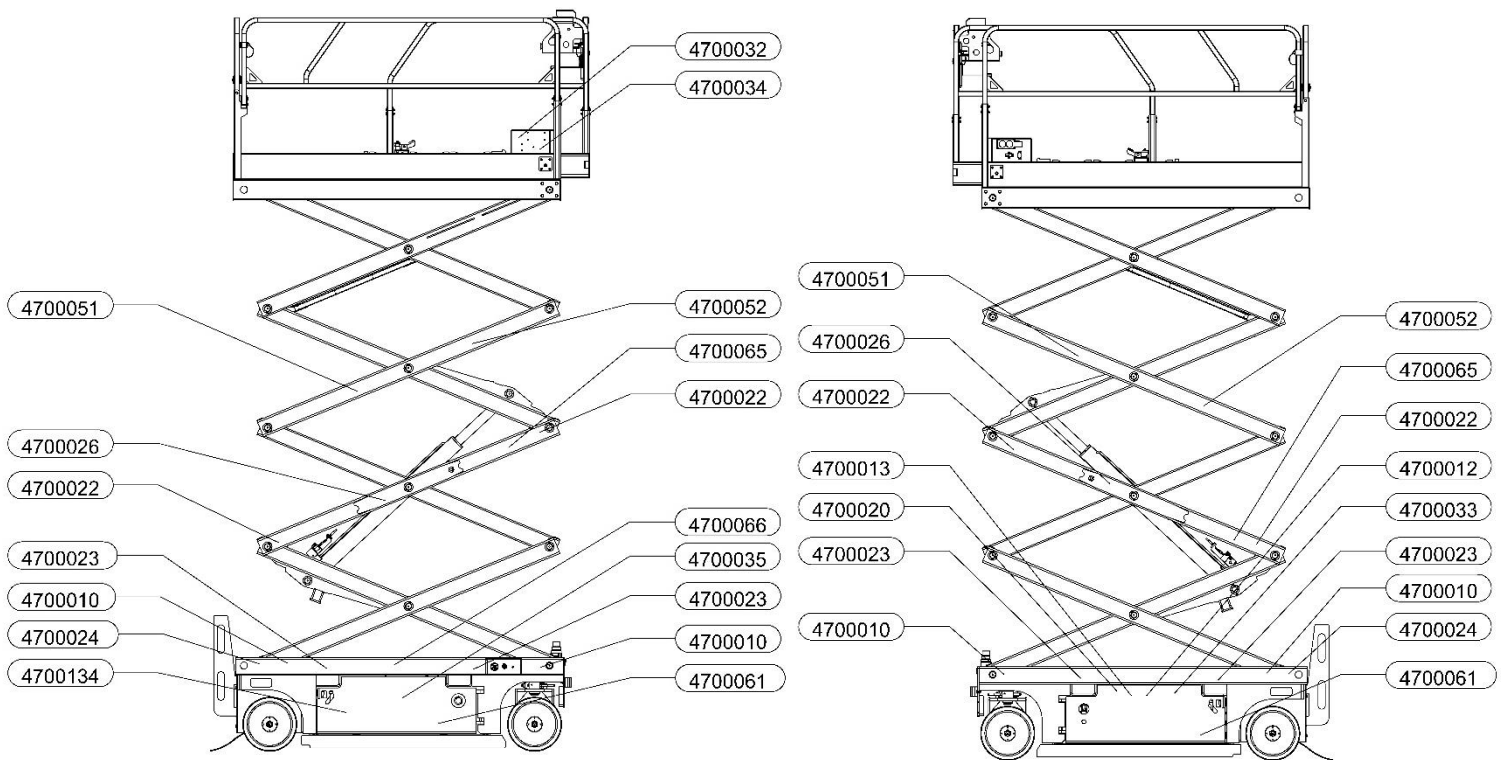
- 1. Platform Guide Rails
- 2. Platform Entry Gate
- 3. Platform
- 4. Platform Access Ladder
- 5. Forklift Pocket
- 6. Castor Wheels
- 7. Batteries
- 8. Platform Emergency Stop Button
- 9. Steer Tires
- 10. Transport and Securing Bolt
- 11. Ground Control Panel
- 12. Flashlight
- 13. Tilt Sensor
- 14. Maintenance Rod
- 15. Platform Extension Lock
- 16. Platform Extension
- 17. Platform Control Panel
- 18. Guide Storage Container



EL 8-T LOCATION OF SAFETY INDICATORS



EL 10-T LOCATION OF SAFETY INDICATORS



List of Symbols and Hazard Legends

- 4700022 → Hand Crush Hazard
- 4700056 → Guide Inspection
- 4700018 → Place of Manufacture
- 4700064 → No Smoking
- 4700053 → Read the Operating Manual
- 4700035 → Brake Release Safety
- 4700033 → Battery Charge Plug
- 4700061 → Crush Hazard
- 4700065 → Warnings For Use
- 4700068 → Emergency Lowering Cable
- 4700012 → Do Not Use the Machine When Charging
- 4700013 → Battery Charging Interval
- 4700020 → Use Safety Gloves and Goggles
- 4700063 → Fall Hazard
- 4700014 → Misuse
- 4700025 → Platform Entry Gate Warning
- 4700019 → Electric Shock Hazard
- 4700024 → Attachment and Lifting Point
- 4700032 → Platform Power Supply Data
- 4700026 → Maintenance Rod
- 4700010 → EL 10-T Wheel Load
- 4700011 → EL 8-T Wheel Load
- 4700023 → Forklift Pockets
- 4700066 → Forklift Lift Warning
- 4700003 → EL 10-T Instructions for Inside Use
- 4700005 → EL 8-T Instructions for Inside Use
- 4700017 → Recommendations for Use
- 4700134 → Please Keep Locked
- 4700135 → Please wait till to batteries are fully charged. Check battery fluid and fill to batteries after charging batteries.

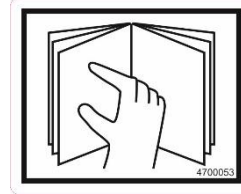
Description of Symbols and Hazard Legends



4700018



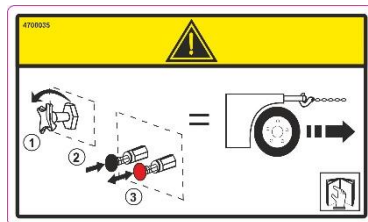
4700064



4700053



4700022



4700035



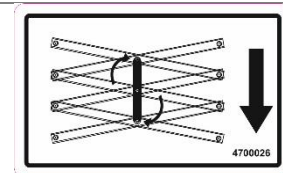
4700033



4700051



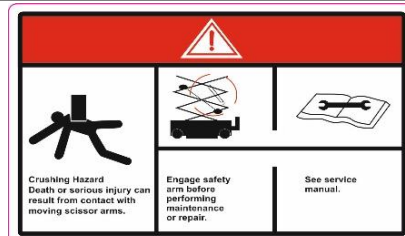
4700052



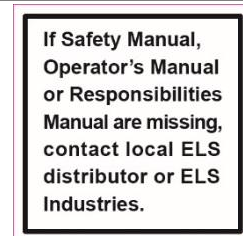
4700026



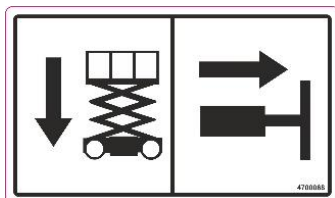
4700061



4700065



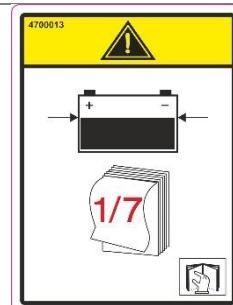
4700056



4700068



4700012



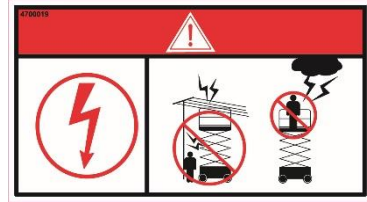
4700013



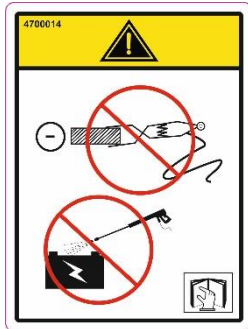
4700020



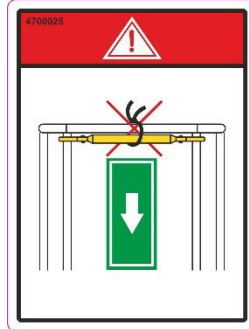
4700063



4700019



4700014



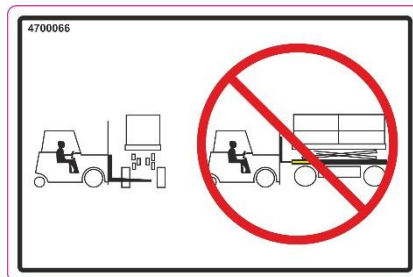
4700025



4700024



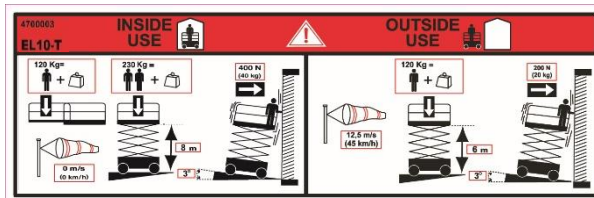
4700032



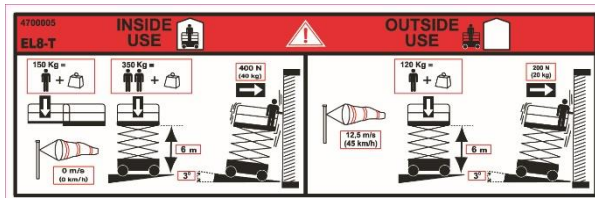
4700066



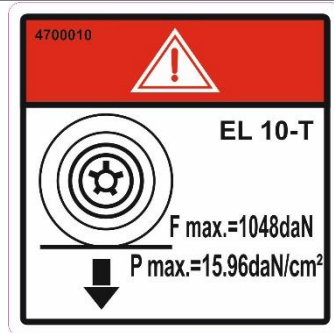
4700023



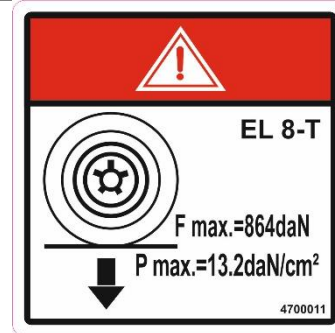
4700003




4700005



4700010



4700011



RECOMMENDATIONS FOR USE

BEFORE USING THIS MACHINE THE OPERATOR MUST

- 1- Read and understand the information in the operators manual and the information marked on the machine, and become familiar with the controls.
- 2- Receive training and practical experience in operating the machine, under the employers supervision.
- 3- Ensure that maintenance is performed according to the manufacturers instructions.
- 4- Refrain from using the machine in the event of any malfunction.
- 5- Not wash the electrical components with a washer pressure.
- 6- Not remove any parts which might affect the stability.
- 7- Not modify the machine without the manufacturers approval.
- 8- Not use the machine as a welding earth.
- 9- Not weld on the machine without first disconnecting the battery terminals. See the instructions in the maintenance manual.

DAILY INSPECTION

- 1- Check the level of hydraulic oil and battery electrolyte.
- 2- Check that there are no apparent defects hydraulic leaks, loose bolts, loose electric connections.
- 3- Check that the tilt indicator operates correctly by sounding the buzzer.

INSTRUCTIONS BEFORE USE

IMPORTANT when using the AC power line to the work platform, the power plug must be connected to an electrical installation protected by a 30mA circuit breaker (C15100 standart)

START - UP

- 1- Unlock the emergency stop button then press the starter button.
- 2- If the machine does not start, wait 10 second then repeat the operation.

THE MACHINE MUST NO BE USED
WHILE CHARGING THE BATTERIES

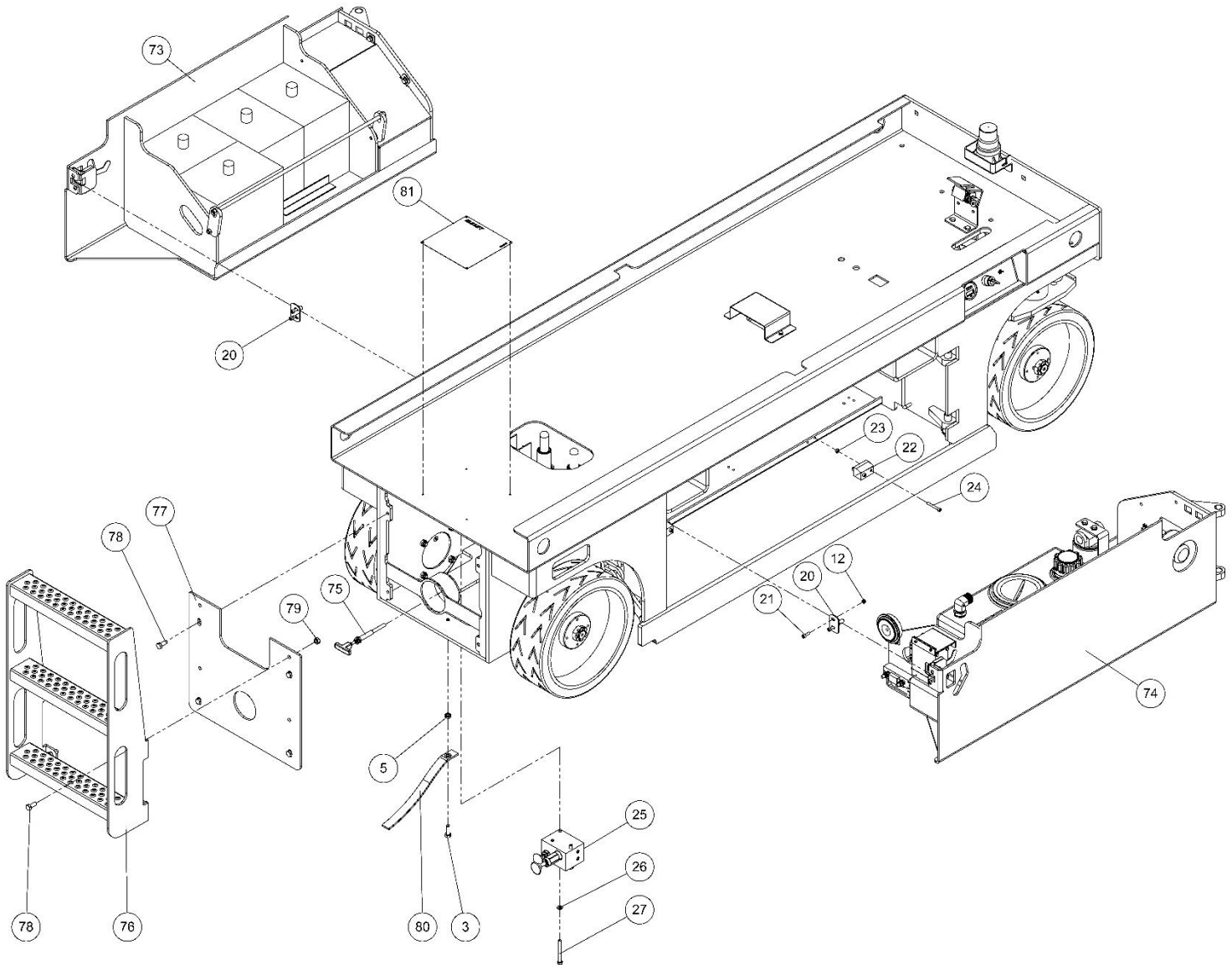
ELS LIFT

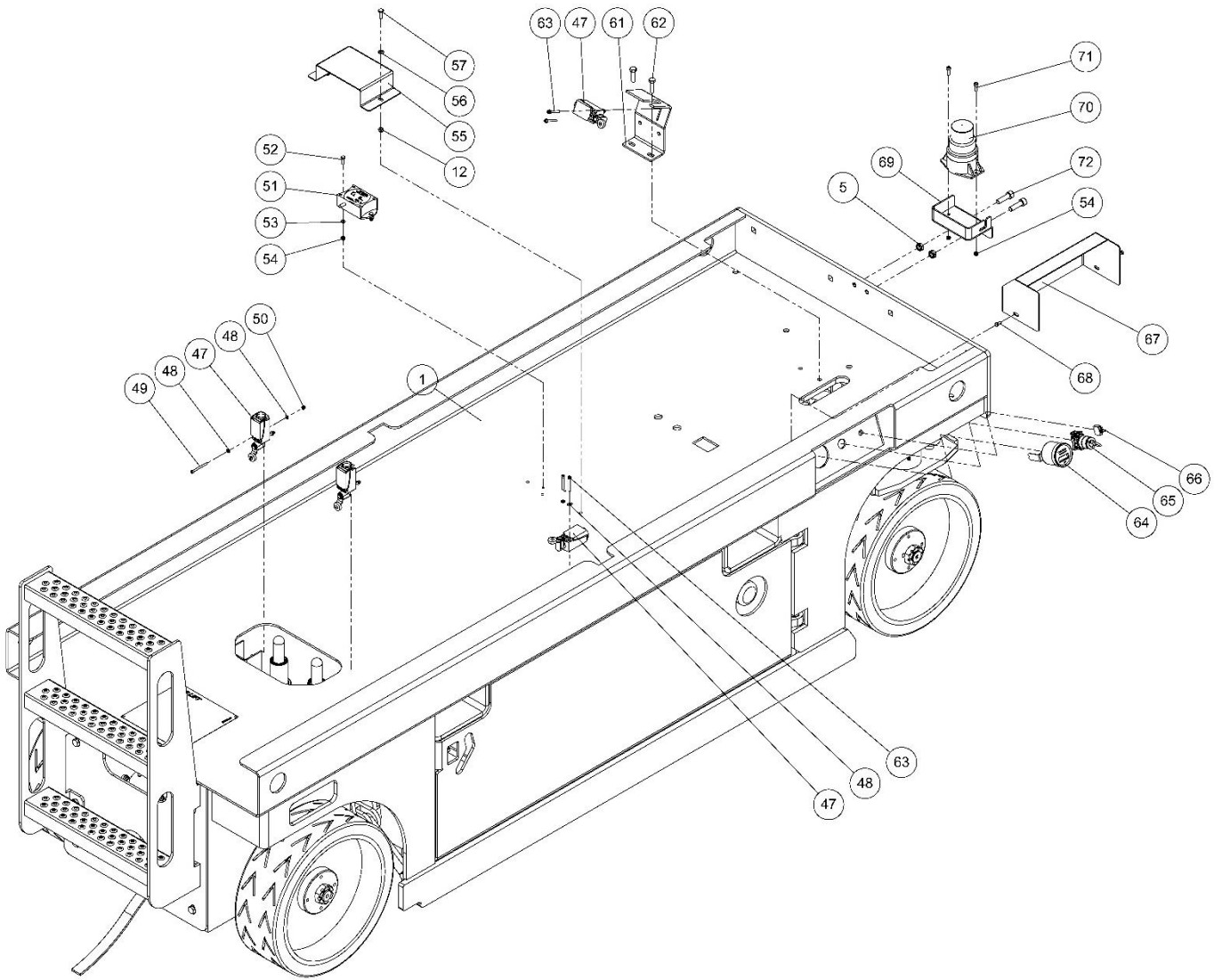
4700017-EN

4700017

CHASSIS

Chassis Assembly

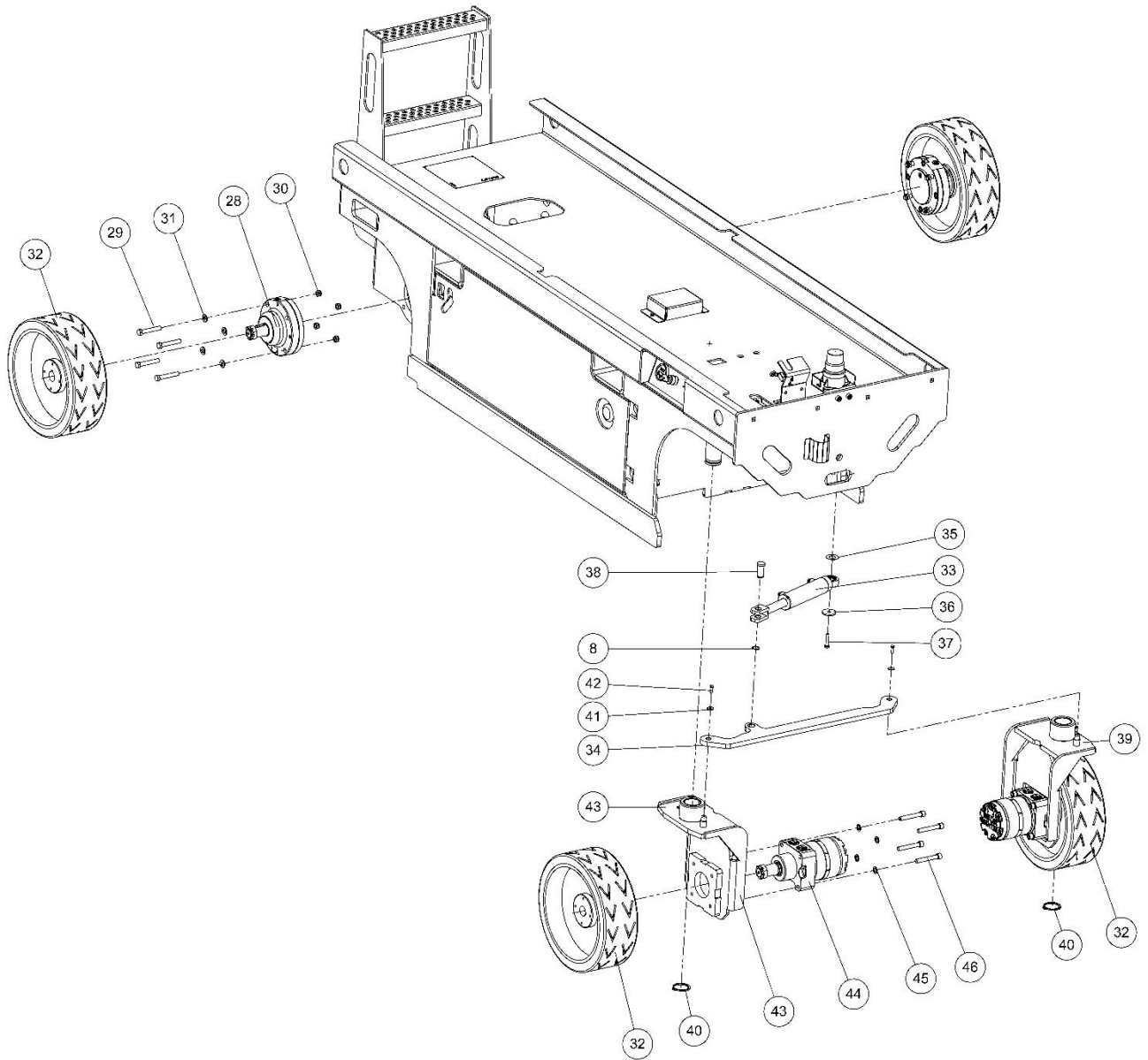




Item	Qty.	Description	Part No.
3	9	M10x30 Hex head cap screw DIN 518	S20010010AA
5	11	M10 Prevailing torque nut ISO 10511	S07010000AA
12	6	M6 Prevailing torque nut ISO 10511	S07006000AA
20	2	Latch	M01000003AA
21	4	M6x20 Socket head cap screw DIN 912	S21006008AA
22	4	Pack module stopper	11610001AA
23	8	M6 Hex nut DIN 934 ISO 4029	S04006000AA
24	8	M6x45 Socket head cap screw DIN 912	S21006013AA
25	1	Park release main block	H00600005AA
26	2	M8 Washer DIN 125	S01008000AA
27	2	M8x75 Hex head cap screw DIN 518	S20008019AA
47	4	Limit switch	E00820003AA
48	14	M4 Washer DIN 125	S01004000AA
49	4	M4x45 Socket head cap screw DIN 912	S21004013AA
50	6	M4 Prevailing torque nut ISO 10511	S07004000AA
51	1	Tilt sensor	E04302001AA
52	2	M5x16 Hex head cap screw DIN 518	S20005006AA
53	2	M5 Washer DIN 125	S01005000AA
54	4	M5 Prevailing torque nut ISO 10511	S07005000AA
55	1	Tilt sensor protection plate	19991004AA
56	2	M6 Washer DIN 125	S01006000AA
57	2	M6x18 Hex head cap screw DIN 518	S20006007AA
61	1	Limit switch protection plate	19991010AA
62	2	M8x30 Hex head cap screw DIN 518	S20008010AA

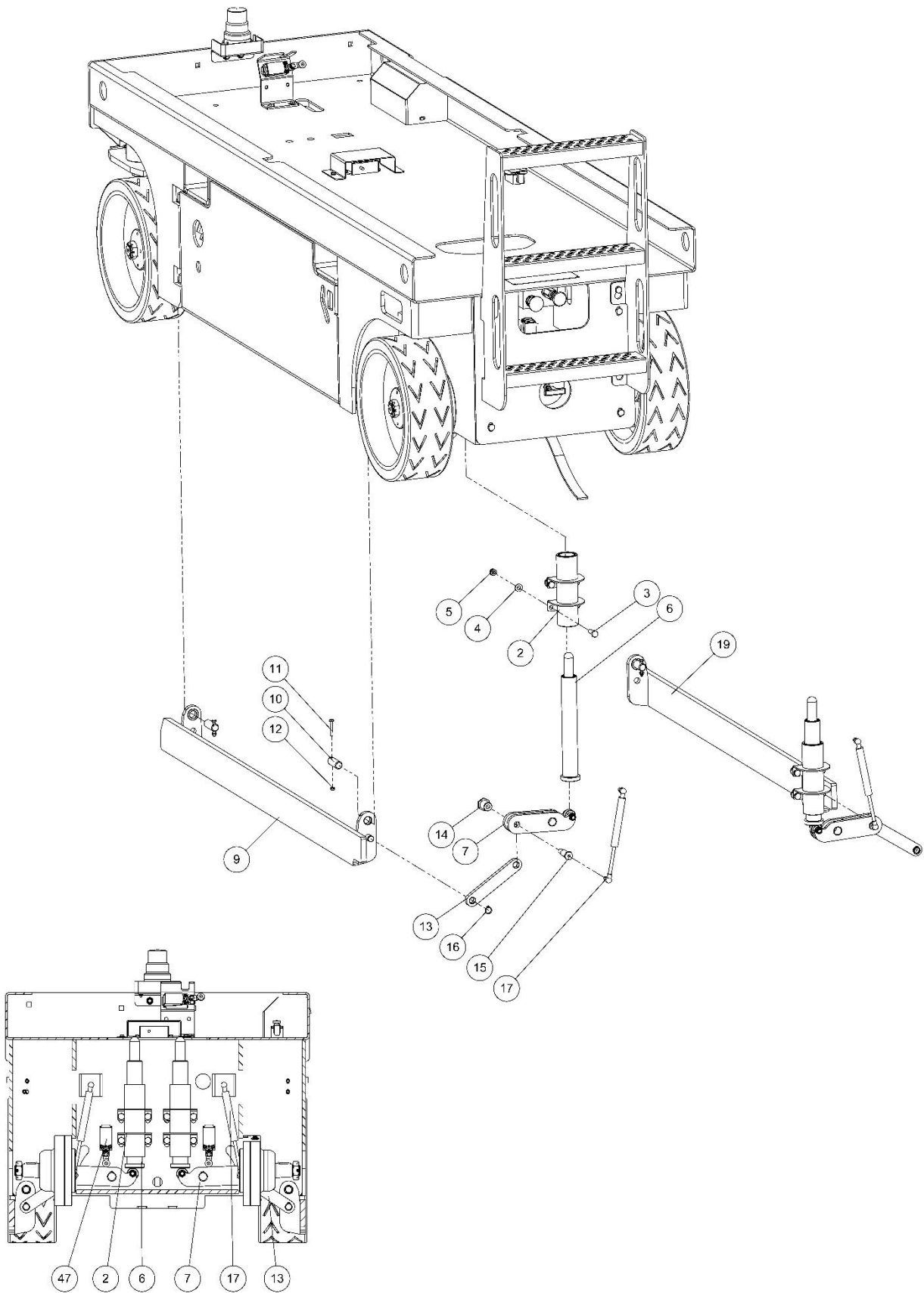
63	4	M4x35 Socket head cap screw DIN 912	S21004011AA
64	1	Battery charger indicator	E04600002AA
65	1	Key switch	E01800001AA
66	1	Toggle switch	E00622001AA
67	1	Ground control unit protection plate	11613800AA
68	2	M5x10 Hex head cap screw DIN 518	S20005003AA
69	1	Flasher linkage plate	19900100AA
70	1	Flasher	E00520001AA
71	2	M5x16 Socket head cap screw DIN 912	S21005006AA
72	2	M10x35 Socket head cap screw DIN 912	S21010011AA
73	1	Battery pack module assembly	11110800AA
74	1	Hydraulic pack module assembly	11611500AA
75	1	Emergency lowering cable	M00600100AA
76	1	Ladder weldment assembly	11111000AA
77	1	Cover	11110002AA
78	8	M10x25 Hex head cap screw DIN 518	S20010009AA
79	4	M10 Hex nut DIN 934 ISO 4029	S04010000AA
80	1	Static strap	M01510100AA
	1	EL 10-T Product label	M03100011AA
81	1	EL 8-T Product label	M03100009AA

Steer Linkage and Drive Wheel Assembly



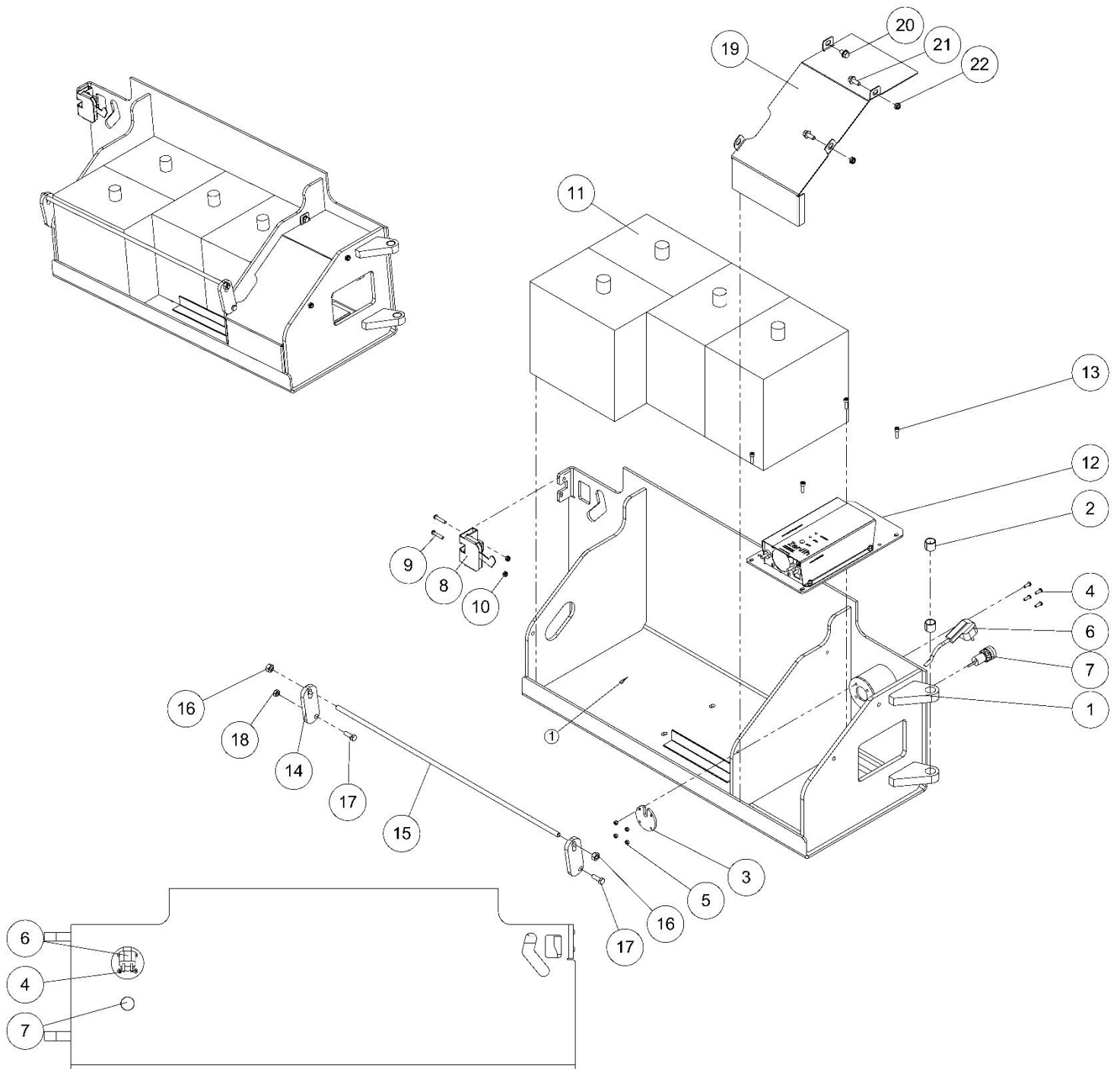
Item	Qty.	Description	Part No.
8	3	Ø20 Circlip DIN 471	S13043000AA
28	2	Hydraulic break	H00400001BA
29	8	M12x75 Hex head cap screw DIN 518	S20012019AA
30	8	M12 Prevailing torque nut ISO 10511	S07012000AA
31	8	M12 Washer DIN 125	S01012000AA
32	4	Wheel	M00200005AA
33	1	Steering cylinder	H00510006AA
34	1	Steer linkage plate	11111600AA
35	1	Steering cylinder support plate	11110004AA
36	1	Washer	11110005AA
37	1	M8x40 Hex head cap screw DIN 518	S20008012AA
38	1	Steering cylinder linkage pin	11110003AA
39	1	Wheel assembly, left	11111200AA
40	2	Ø50 Circlip DIN 471	S14074000AA
41	2	Wheel steering washer	11610008AA
42	2	M6x20 Hex head cap screw DIN 518	S20006008AA
43	1	Wheel assembly, right	11111400AA
44	2	Drive motor	H00200001BA
45	8	M12 Curved spring lock washer DIN 128	S03012000AA
46	8	M12x80 Socket head cap screw DIN 912	S21012020AA

Pot Hole Protection Assembly



Item	Qty.	Description	Part No.
2	2	Pot hole guide bearing	11613000AA
3	9	M10x30 Hex head cap screw DIN 518	S20010010AA
4	8	M10 Washer DIN 125	S01010000AA
5	11	M10 Prevailing torque nut ISO 10511	S07010000AA
6	2	Pot hole pusher	11613200AA
7	1	Pot hole bell crank link	11612600AA
9	1	Pot hole guard weldment, left	11612100AA
10	4	Pot hole pin	11610003AA
11	4	M6x40 Hex head cap screw DIN 518	S20006012AA
12	10	M6 Prevailing torque nut ISO 10511	S07006000AA
13	2	Pothole linkage plate	11111100AA
14	2	Carriage bolt	11610004AA
15	2	Gas shock linkage bolt	11610005AA
16	2	Ø16 Circlip DIN 471	S13039000AA
17	2	Gas shock	M01200002AA
19	1	Pot hole guard weldment, right	11612300AA
47	2	Limit switch	E00820003AA

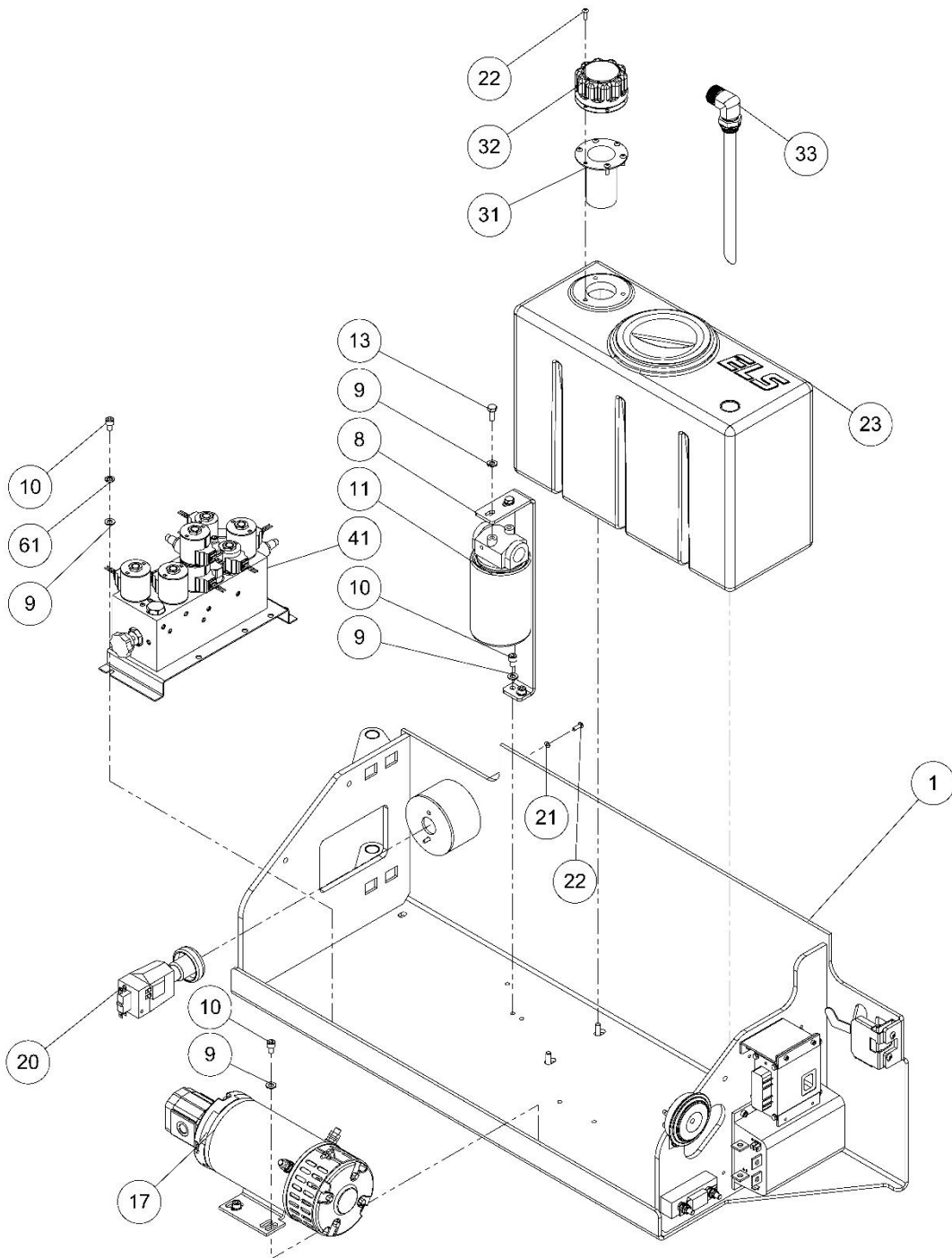
Battery Pack Module



Item	Qty.	Description	Part No.
1	1	Battery pack weldment	11110900AA
2	2	Ø20x20 P10 Bearing	S31043008AA
3	1	Battery charger plug linkage	19991012AA
4	4	M5x16 Hexagon socket button head screw ISO 7380	S26005006AA
5	4	M5 Hex nut DIN 934 ISO 4029	S04005000AA
6	1	Battery charger plug	E02200001AA
7	1	Indicator	E00900001AA
8	1	Lock	M01000001AA
9	2	M6x30 Hexagon socket button head screw ISO 7380	S26006010AA
10	2	M6 Prevailing torque nut ISO 10511	S07006000AA
11	4	6V 225A Batteries	E00212001AA
12	1	24V 20A Battery charger	E00322001AA
13	4	M6x20 Socket head cap screw DIN 912	S21006008AA
14	2	Battery fixing plate	19991007AA
15	1	Battery fixing shaft	19991006AA
16	2	M10 Hex nut DIN 934 ISO 4029	S04010000AA
17	2	M8x25 Hex head cap screw DIN 518	S20008009AA
18	1	M8 Hex nut DIN 934 ISO 4029	S04008000AA
19	1	Battery charger protection plate (optional)	19991005AA
20	1	M8x12 Hexagon flange screw DIN 6921	S28008004AA
21	2	M8x20 Hexagon flange screw DIN 6921	S28008008AA
22	2	M8 Prevailing torque nut ISO 10511	S07008000AA

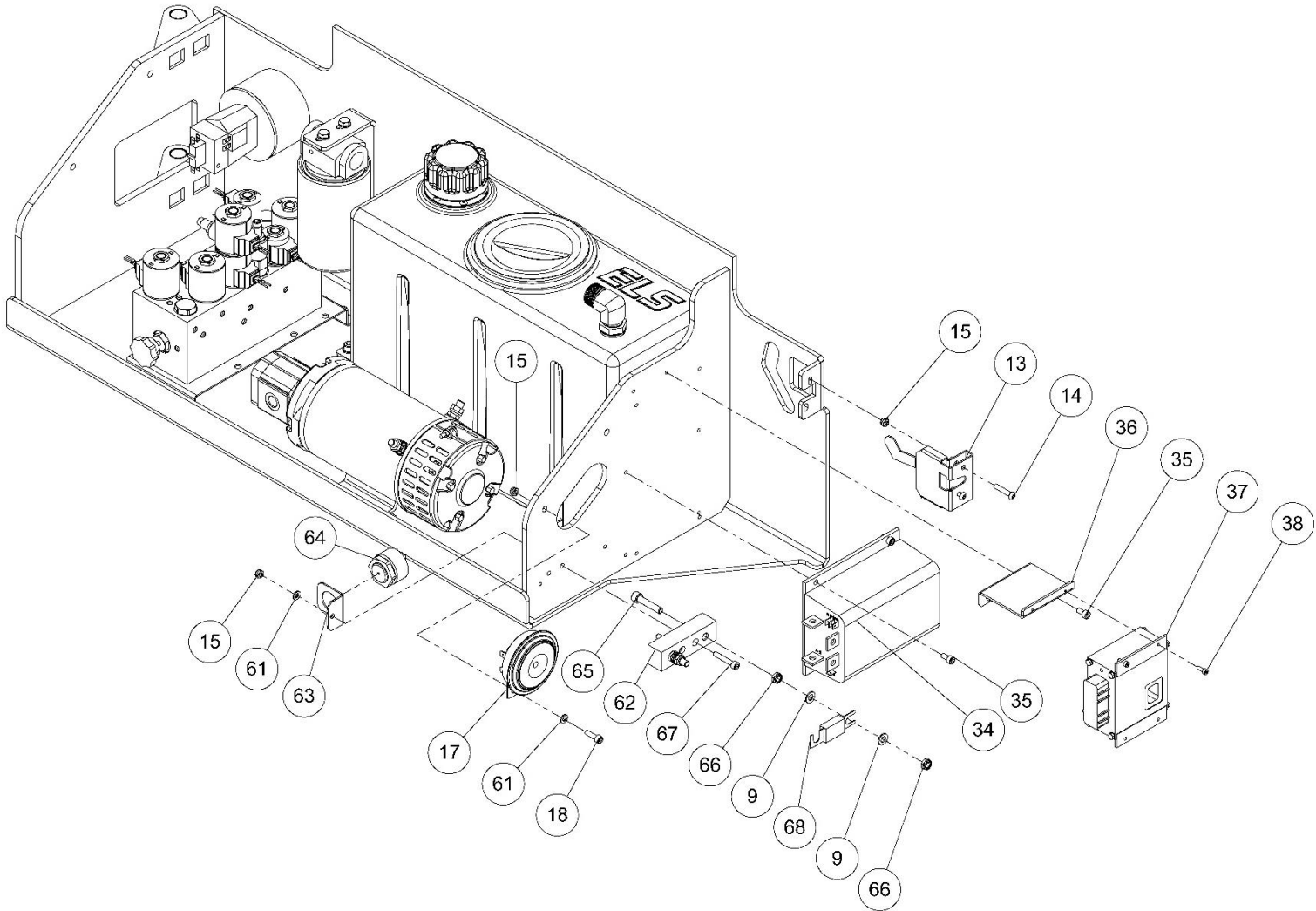
Hydraulic Pack Module

Hydraulic Pack



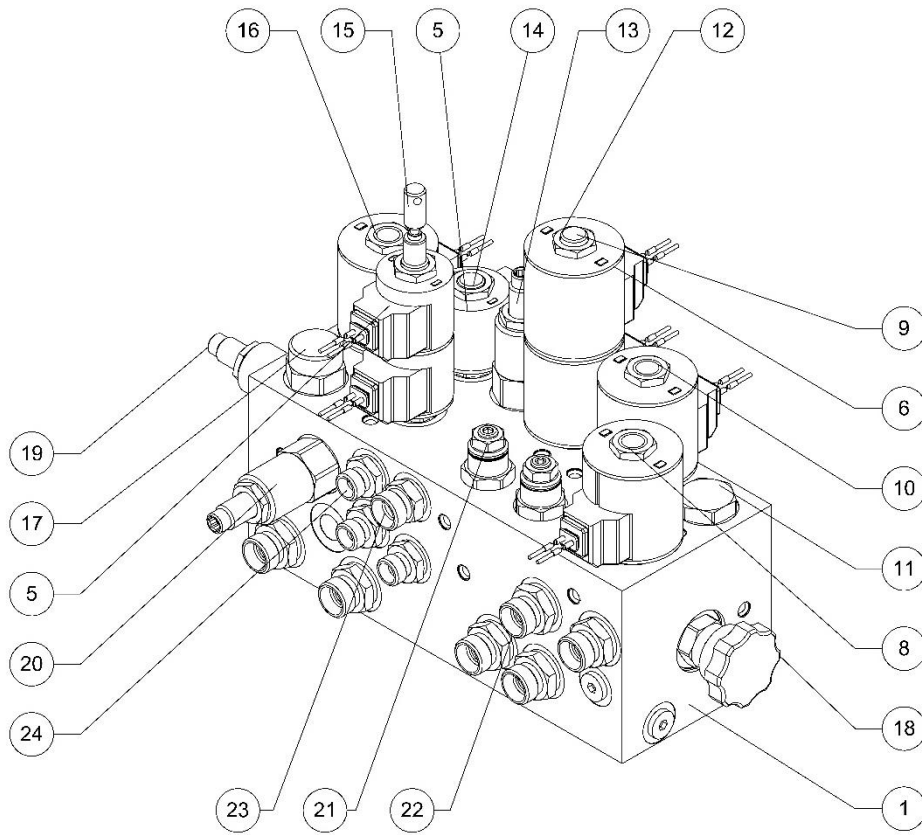
Item	Qty.	Description	Part No.
1	1	Hydraulic pack weldment assembly	11611601AA
8	1	Filter linkage plate	19991008AA
9	14	M8 Washer DIN 125	S01008000AA
10	12	M8x12 Socket head cap screw DIN 912	S21008004AA
11	1	Filter	H01100002AA
13	2	M8x20 Hex head cap screw DIN 518	S20008008AA
17	1	Hydraulic power pack	H00100001AA
20	1	Main Switch	E00400001AA
21	2	M5 Washer DIN 125	S01005000AA
22	8	M5x16 Hexagon socket button head fscrew ISO 7380	S26005006AA
23	1	Hydraulic oil tank	H01200002AA
31	1	Hydraulic oil tank filter	H01800001AA
32	1	Hydraulic oil tank cover	H01800001AA
33	1	Hydraulic oil tank return tube	11611800AA
41	1	Hydraulic manifold assembly	H00600001AA
61	2	M8 Curved spring lock washer DIN 128	S03008000AA

Electronic Control Unit



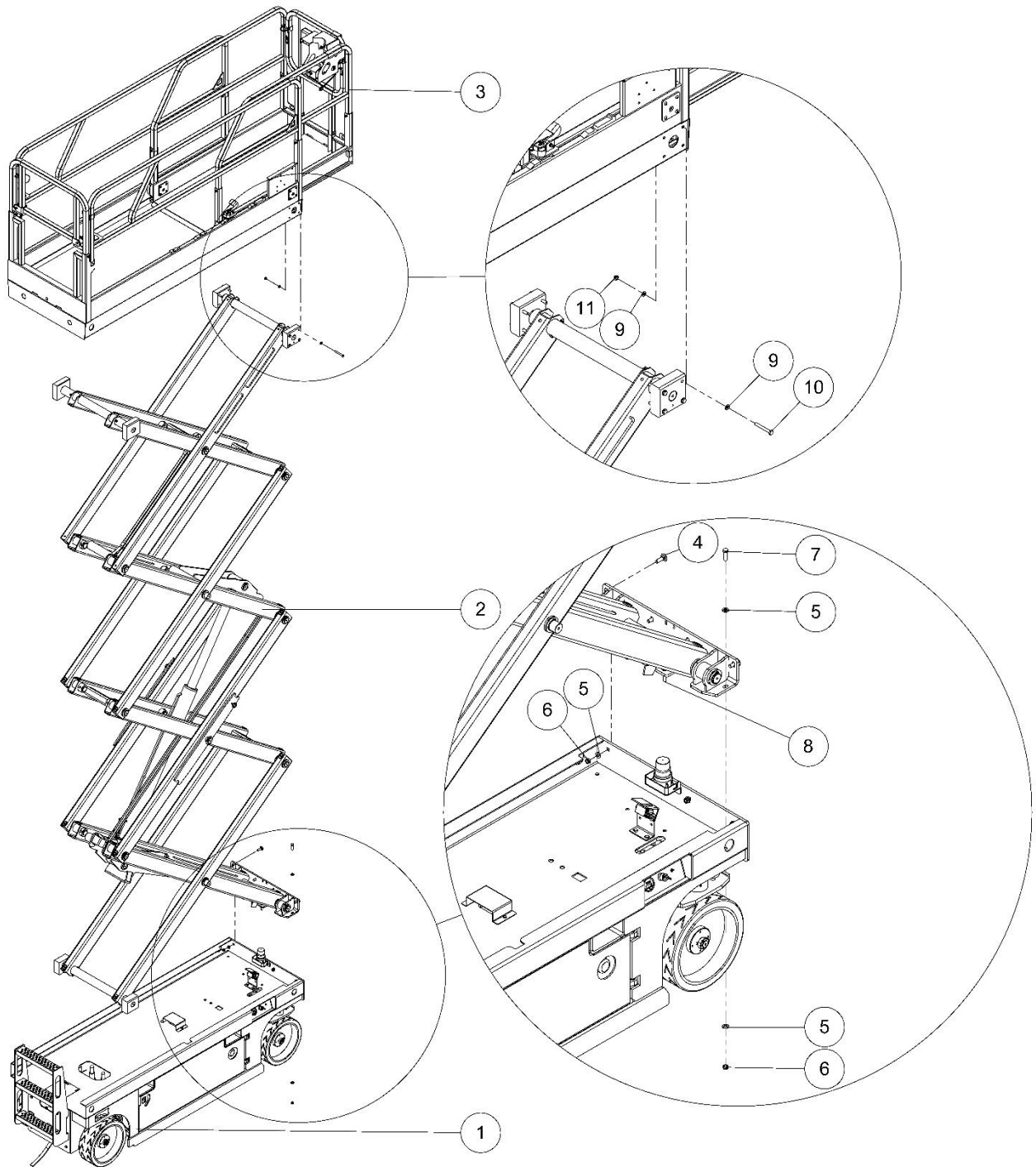
Item	Qty.	Description	Part No.
9	14	M8 Washer DIN 125	S01008000AA
13	1	Lock	M01000002AA
14	2	M6x30 Hexagon socket button head fscrew ISO 7380	S26006010AA
15	5	M6 Prevailing torque nut ISO 10511	S07006000AA
17	1	Horn	E01020001AA
18	1	M6x20 Socket head cap screw DIN 912	S21006008AA
34	1	Motor controller	E04000001AA
35	6	M6x12 Socket head cap screw DIN 912	S21006004AA
36	1	Electronic control unit linkage plate	11611501AA
37	1	Electronic control unit	E04110001AA
38	2	M4x12 Socket head cap screw DIN 912	S21004004AA
61	3	M6 Washer DIN 125	S01006000AA
62	1	Fuse linkage plate	11611502AA
63	1	Buzzer linkage plate	19991003AA
64	1	Buzzer	E01600001AA
65	2	M8x40 Socket head cap screw DIN 912	S21008012AA
66	4	M8 Prevailing torque nut ISO 10511	S07008000AA
67	2	M6x35 Socket head cap screw DIN 912	S21006011AA
68	1	Fuse	E01100002AA

Hydraulic Manifold



Item	Qty.	Description	Part No.
1	1	Hydraulic block	H00700001AA
5	3	Coil 01	H00900001AA
6	5	Coil 02	H00900002AA
8	1	Solenoid valve 1	H00800001AA
10	1	Solenoid valve 2	H00800002AA
11	1	Flow divider valve 1	H00801001AA
12	1	Solenoid valve 3	H00800003AA
13	1	Reliefe valve 1	H00802001AA
14	1	Solenoid valve 4	H00800004AA
15	1	Solenoid valve 5	H00800005AA
16	1	Solenoid valve 6	H00800006AA
17	1	Flow regulator valve 1	H00803001AA
18	1	Flow control valve 1	H00804001AA
19	1	Reliefe valve 2	H00802002AA
20	1	Reliefe valve 3	H00802003AA
21	2	Countere balance 1	H00805001AA
22	6	G3/8" Ø12L Connector	H10252007AA
23	1	G1/4" Ø12L Connector	H10251007AA
24	3	G1/4" Ø8L Connector	H10251005AA

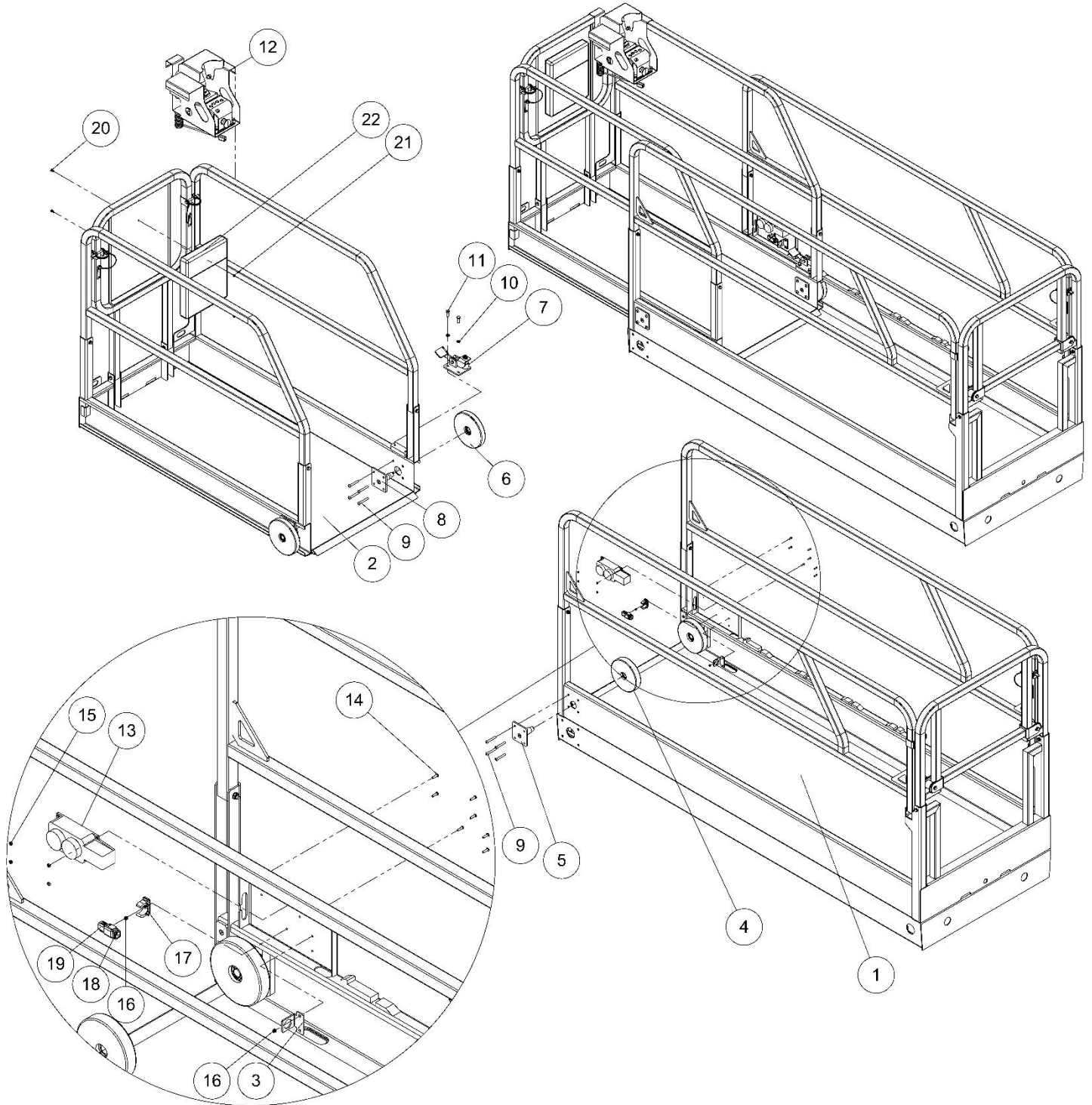
Scissors Assembly Installation



Item	Qty.	Description	Part No.
1	1	Chassis assembly	11110000AA
2	1	Scissors assembly	11120000AA
3	1	Platform assembly	11130000AA
4	4	M12x40 Mushroom head square neck bolt DIN 603	S27012012AA
5	12	M12 Washer DIN 125	S01012000AA
6	8	M12 Prevailing torque nut ISO 10511	S07012000AA
7	2	M12x40 Hex head cap screw DIN 518	S20012012AA
8	2	M12x55 Hex head cap screw DIN 518	S20012015AA
9	16	M10 Washer DIN 125	S01010000AA
10	8	M10x80 Hex head cap screw DIN 518	S20010020AA
11	8	M10 Prevailing torque nut ISO 10511	S07010000AA

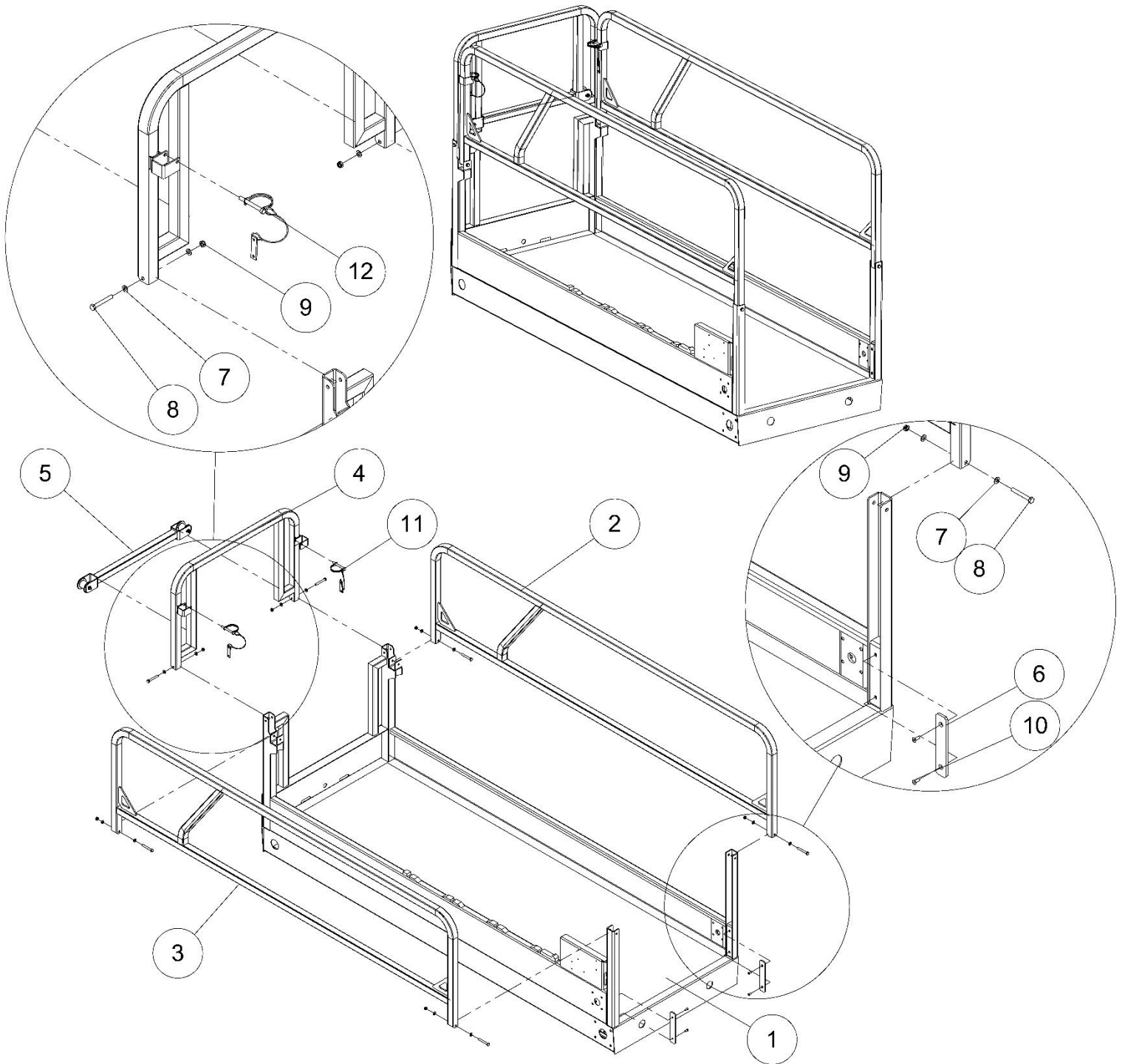
PLATFORM

Platform Assembly



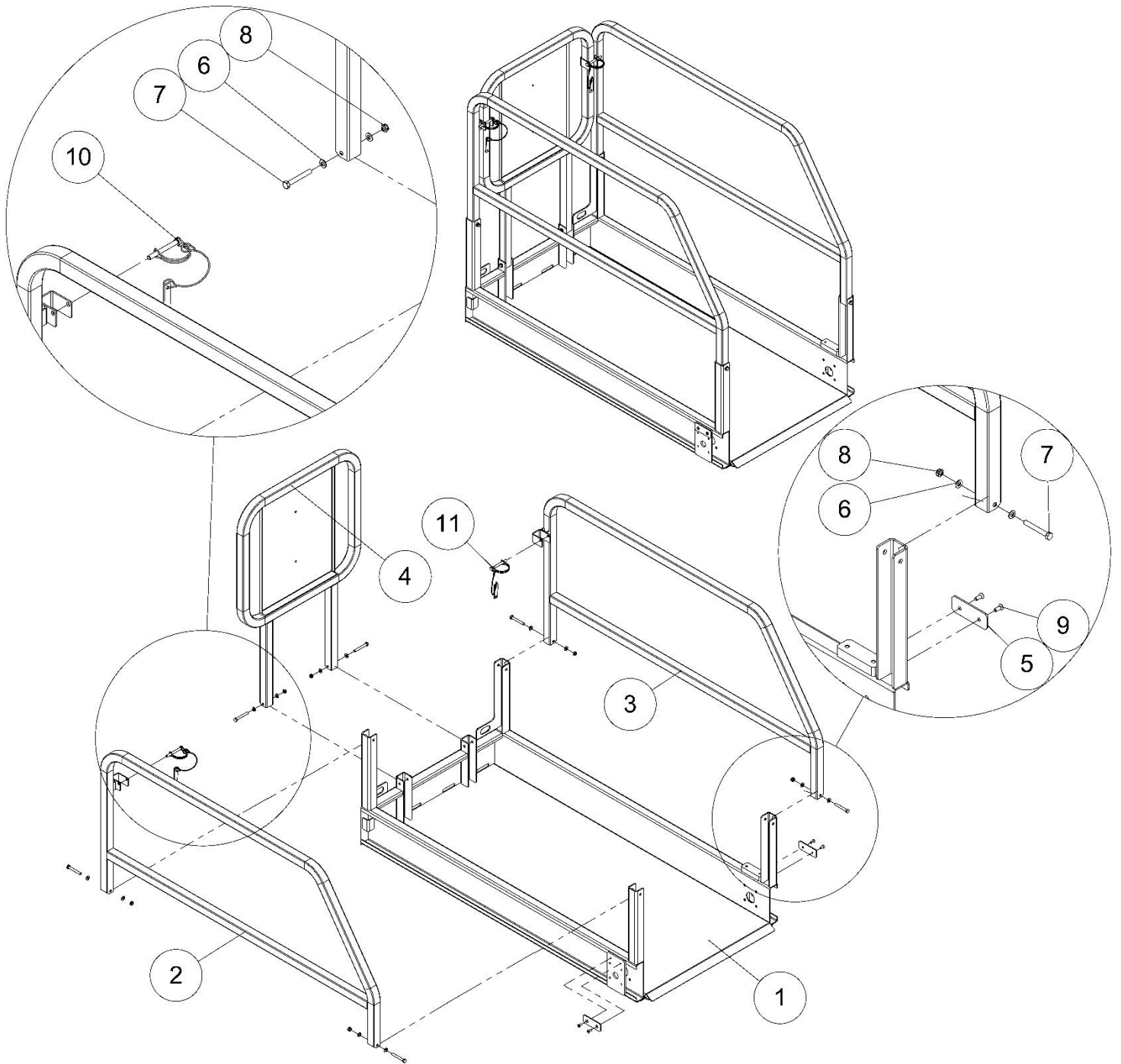
Item	Qty.	Description	Part No.
1	1	Main platform assembly	11130100AA
2	1	Platform extension assembly	11131200AA
3	1	Bracket, Cable transport	19993003AA
4	2	Roller, Main platform	11632000AA
5	2	Main platform roller weldment assembly	11632100AA
6	2	Roller, Platform extension	11632200AA
7	1	Platform extension locking assembly	19930100AA
8	2	Platform extension roller weldment assembly	11632300AA
9	16	M8x55 Hexagon socket button head screw ISO 7380	S26008015AA
10	2	M8 Washer DIN 125	S01008000AA
11	2	M8x25 Hex head cap screw DIN 518	S20008009AA
12	1	Joystick box assembly	19930600AA
13	1	Duplex receptacle	E02300001AA
14	7	M4x15 Hexagon socket button head screw ISO 7380	S26004005AA
15	4	M4 Hex nut DIN 934 ISO 4029	S04004000AA
16	3	M4 Prevailing torque nut ISO 10511	S07004000AA
17	1	Crochet	M01600001AA
18	1	Deutsch socket	E00720601BA
19	1	Deutsch socket	E00720601AA
20	2	M6x10 Hex head cap screw DIN 518	S20006003AA
21	2	M6 Hex nut DIN 934 ISO 4029	S04006000AA
22	1	Manual box	M01300001AA

Main Platform Assembly



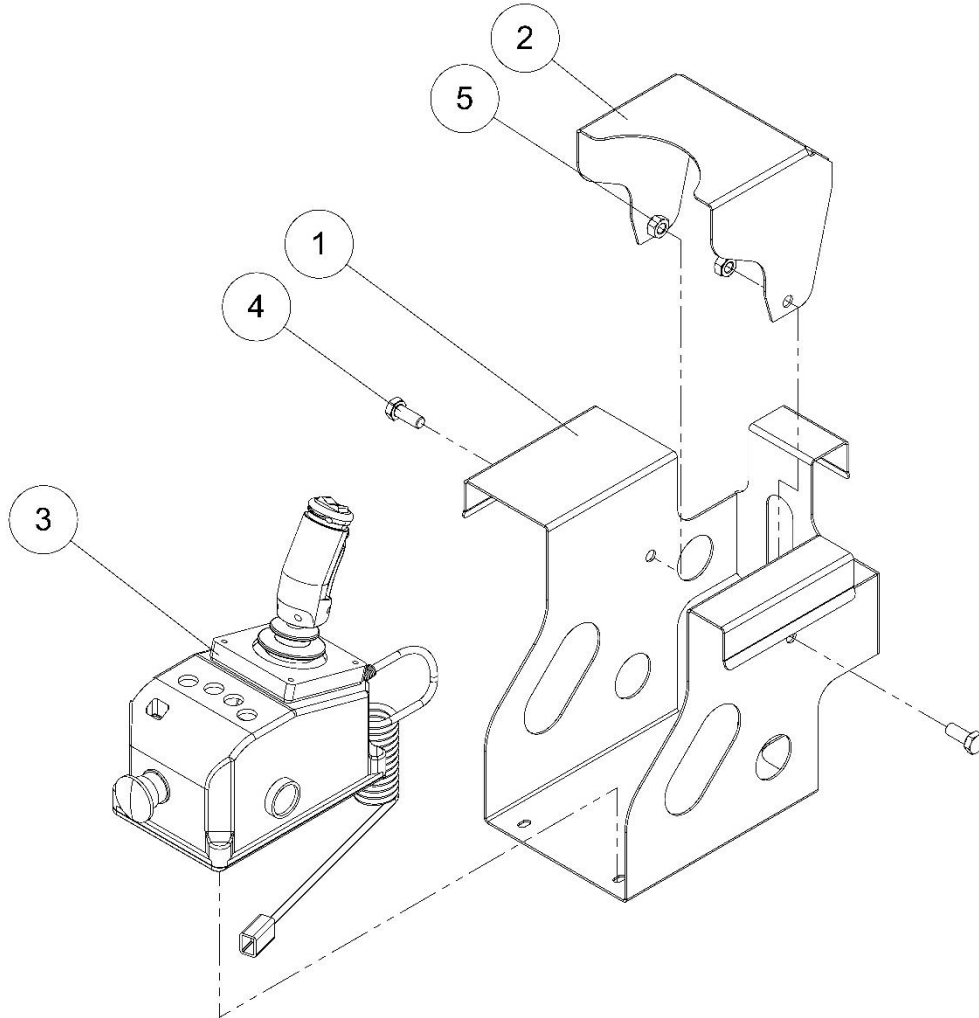
Item	Qty.	Description	Part No.
1	1	Main platform deck weldment assembly	11130200AA
2	1	Main platform left rail weldment assembly	11130700AA
3	1	Main platform right rail weldment assembly	11130800AA
4	1	Platform entry gate weldment assembly	11130900AA
5	1	Platform entry gate assembly	11131000AA
6	2	Main platform fixing delrin	11630101AA
7	12	M8 Washer DIN 125	S01008000AA
8	6	M8x60 Hex head cap screw DIN 518	S20008016AA
9	6	M8 Prevailing torque nut ISO 10511	S07008000AA
10	4	M6x16 Hexagon socket countersunk head cap screw DIN 7991	S24006006AA
11	1	Steel rope pin assembly 1	M01030100AA
12	1	Steel rope pin assembly 2	M01030100AA

Platform Extension Assembly



Item	Qty.	Description	Part No.
1	1	Platform extention deck weldment assembly	11131300AA
2	1	Platform extention left rail weldment assembly	11131700AA
3	1	Platform extention right rail weldment assembly	11131800AA
4	1	Platform extention front rail weldment assembly	11131900AA
5	2	Platform extention fixing delrin	11631201AA
6	12	M8 Washer DIN 125	S01008000AA
7	6	M8x60 Hex head cap screw DIN 518	S20008016AA
8	6	M8 Prevailing torque nut ISO 10511	S07008000AA
9	4	M6x16 Hexagon socket countersunk head cap screw DIN 7991	S24006006AA
10	1	Steel rope pin assembly 1	M01030100AA
11	1	Steel rope pin assembly 2	M01030100AA

Joystick Assembly

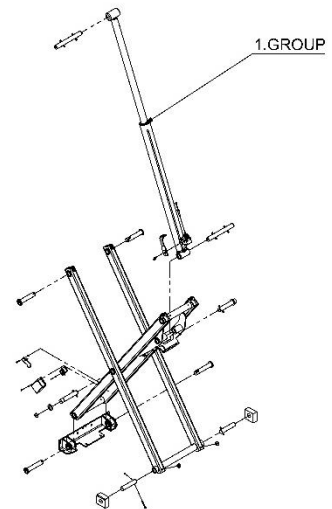
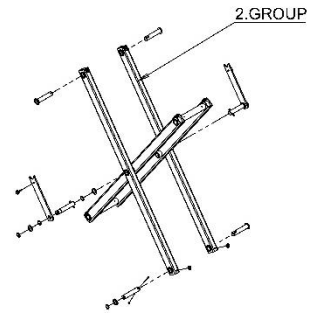
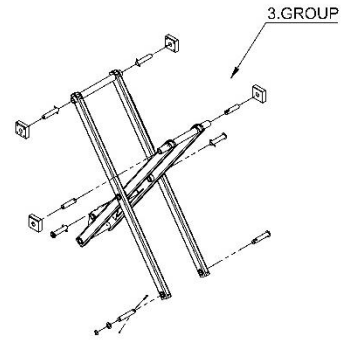
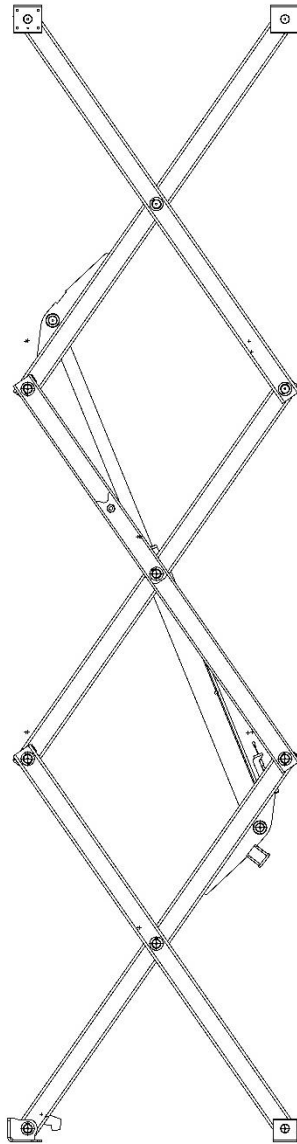
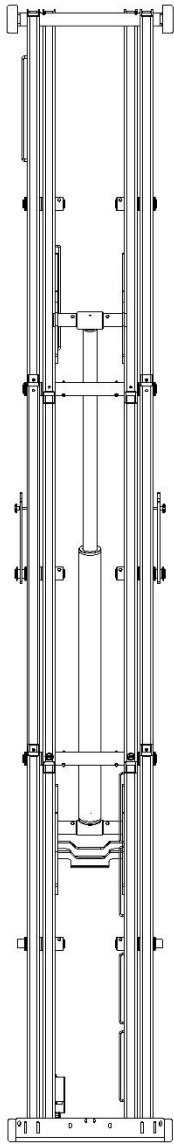


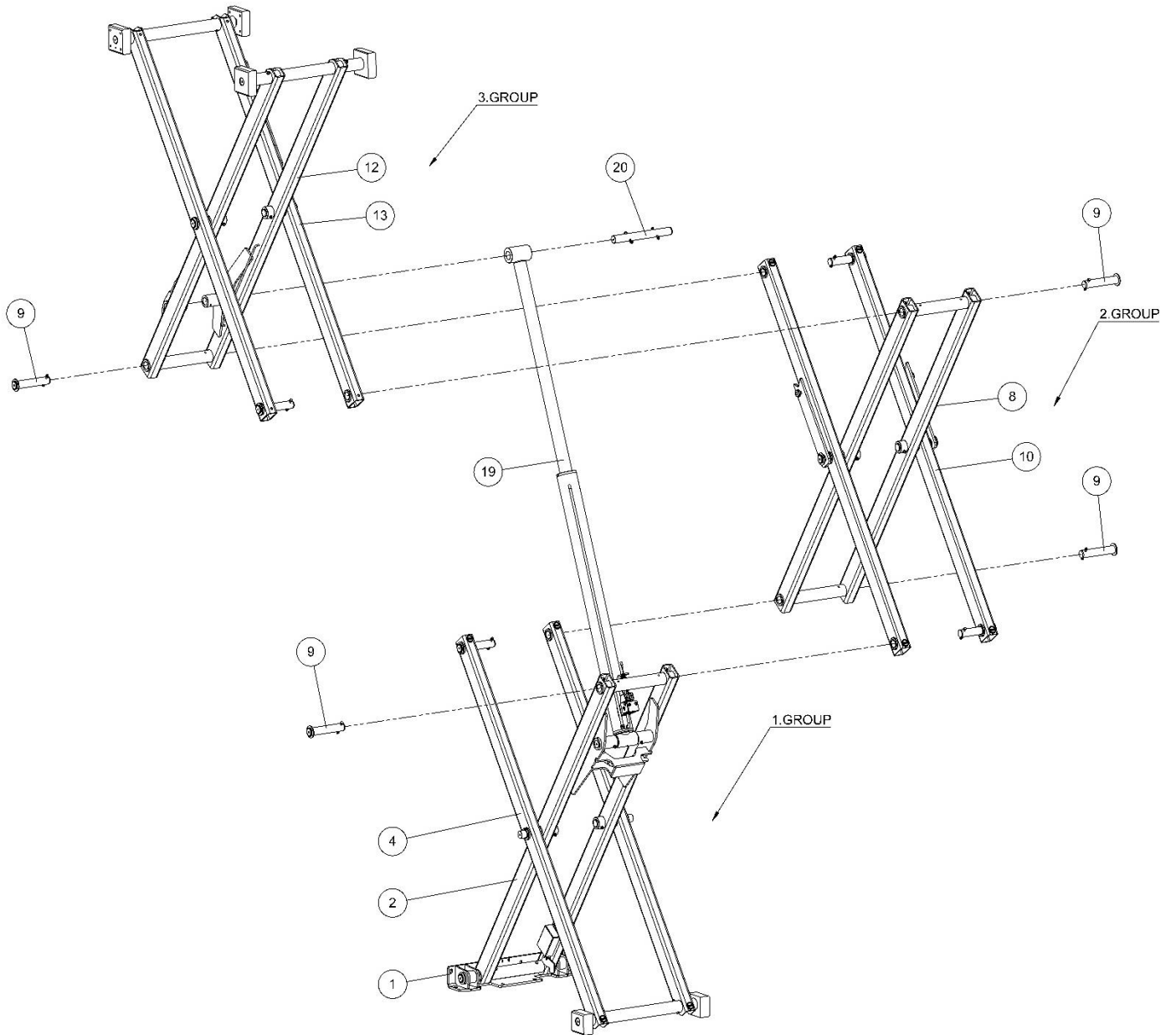
Item	Qty.	Description	Part No.
1	1	Platform control unit, platform linkage plate	19930700AA
2	1	Platform control unit protection plate	19930703AA
3	1	Platform control unit	E04120003AA
4	2	M10x25 Hex head cap screw DIN 518	S20010009AA
5	2	M10 Hex nut DIN 934 ISO 4029	S04010000AA

SCISSOR

EL 8-T SCISSOR GROUP

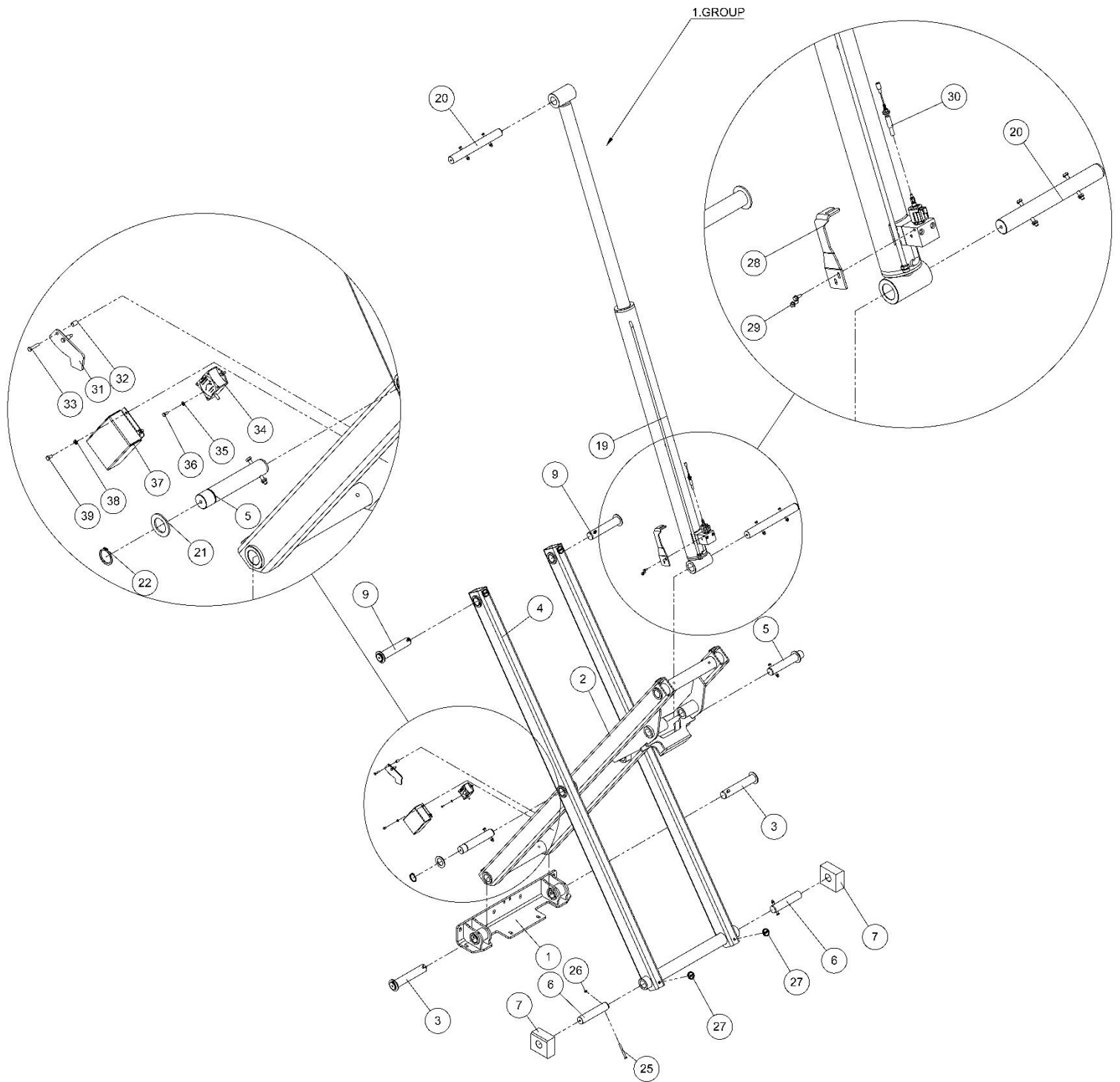
Scissor Assembly





Item	Qty.	Description	Part No.
1	1	Bottom linkage weldment	11120100AA
2	1	1. Inner arm weldment assembly	11020100AA
4	1	1. Outer arm assembly	11020300AA
8	1	2. Inner arm weldment assembly	11020500AA
9	8	Scissor linkage shaft	11020003AA
10	2	2. Outer arm assembly	11020600AA
12	1	3. Inner arm weldment assembly	11020800AA
13	1	3. Outer arm assembly	11020900AA
19	1	Lift cylinder	H00510007AA
20	2	Cylinder, linkage shaft	11020002AA

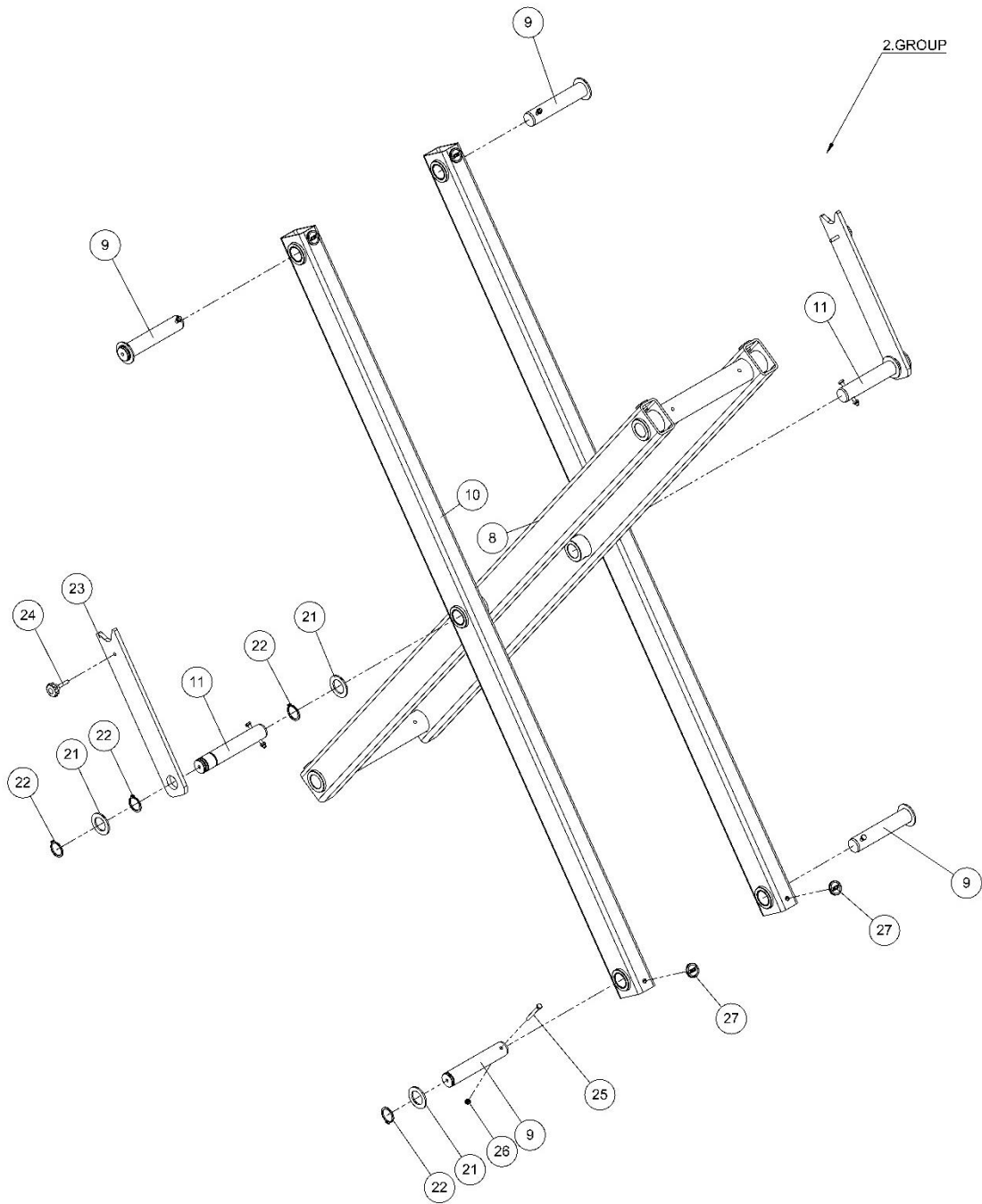
Scissor Group 1 Assembly



Item	Qty.	Description	Part No.
1	1	Bottom linkage weldment	11120100AA
2	1	1. Inner arm weldment assembly	11020100AA
3	2	Scissor, linkage shaft	19992207AA
4	1	1. Outer arm assembly	11020300AA
5	2	Shaft 5	19992206AA
6	2	Bottom linkage support block shaft	11120003AA
7	2	Bottom linkage support block	11620001AA
9	8	Scissor linkage shaft	11020003AA
19	1	Lift cylinder	H00510007AA
20	2	Cylinder, linkage shaft	11020002AA
21	18	Washer	19992601AA
22	20	Ø40 Circlip DIN 471	S14063000AA
25	26	M8x75 Hex head cap screw DIN 518	S20008019AA
26	26	M8 Prevailing torque nut ISO 10511	S07008000AA
27	16	ELS Cap	M01400001AA
28	1	Emergency lowering cable, cylinder linkage plate	19992001AA
29	2	M6x16 Hexagon flange screw DIN 6921	S28006006AA
30	1	Emergency lowering cable, cylinder linkage	M00600100AA
31	1	Limit switch mount plate	19992006AA
32	2	Limit switch mount plate pin	19992005AA
33	2	M6x30 Hex head cap screw DIN 518	S20006010AA
34	1	Angle sensor	E04301001AA
35	2	M5 Washer DIN 125	S01005000AA
36	2	M5x12 Hex head cap screw DIN 518	S20005004AA

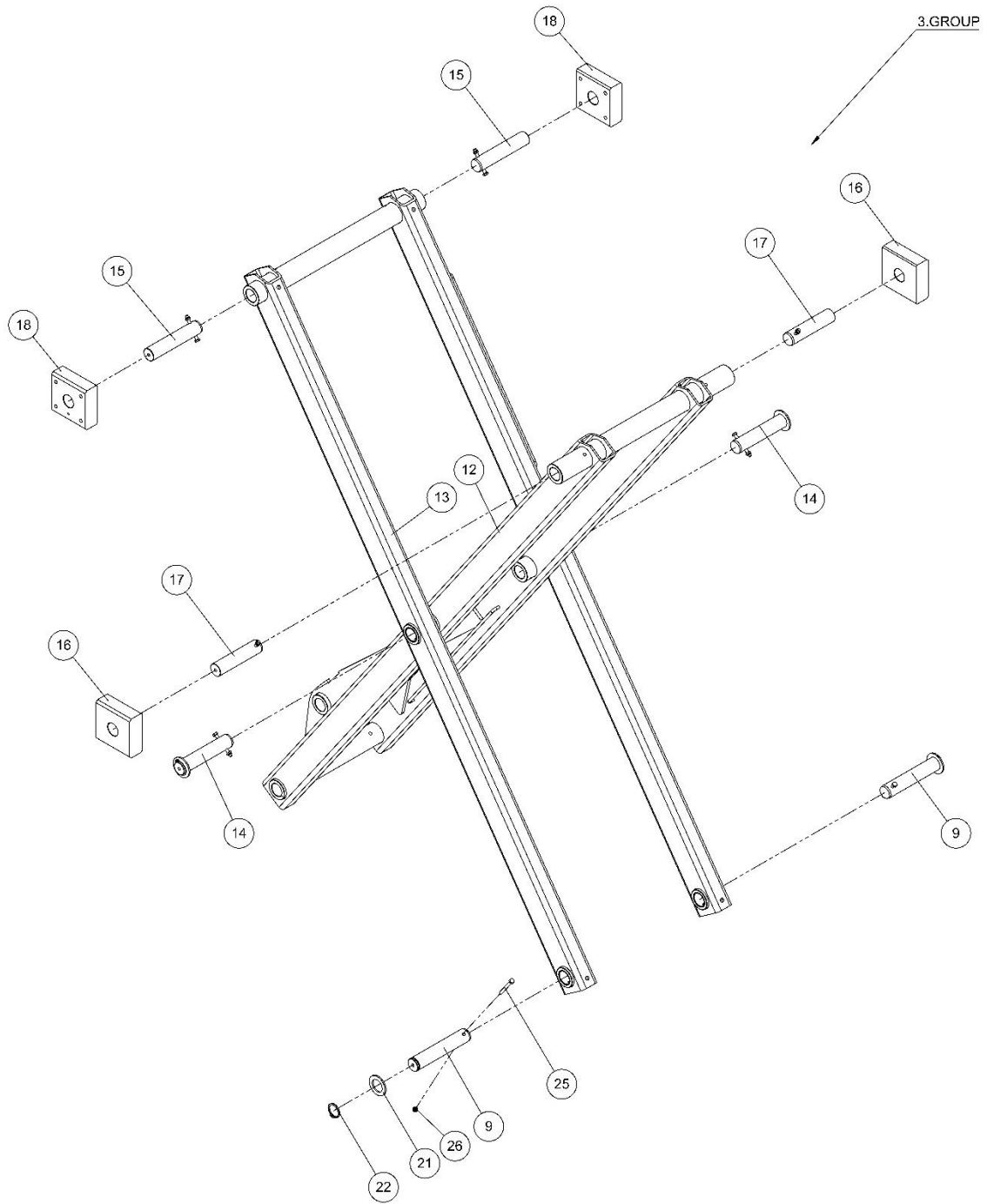
37	1	Angle sensor protection plate	19992002AA
38	2	M6 Washer DIN 125	S01006000AA
39	2	M6x15 Hex head cap screw DIN 518	S20006004AA

Scissor Group 2 Assembly



Item	Qty.	Description	Part No.
8	1	2. Inner arm weldment assembly	11020500AA
9	8	Scissor linkage shaft	11020003AA
10	2	2. Outer arm assembly	11020600AA
11	2	Shaft 4	19992204AA
21	18	Washer	19992601AA
22	20	Ø40 Circlip DIN 471	S14063000AA
23	2	Maintenance Rod	11020001AA
24	2	M8x40 Bakelite star knob	S30008012AA
25	26	M8x75 Hex head cap screw DIN 518	S20008019AA
26	26	M8 Prevailing torque nut ISO 10511	S07008000AA
27	16	ELS Cap	M01400001AA

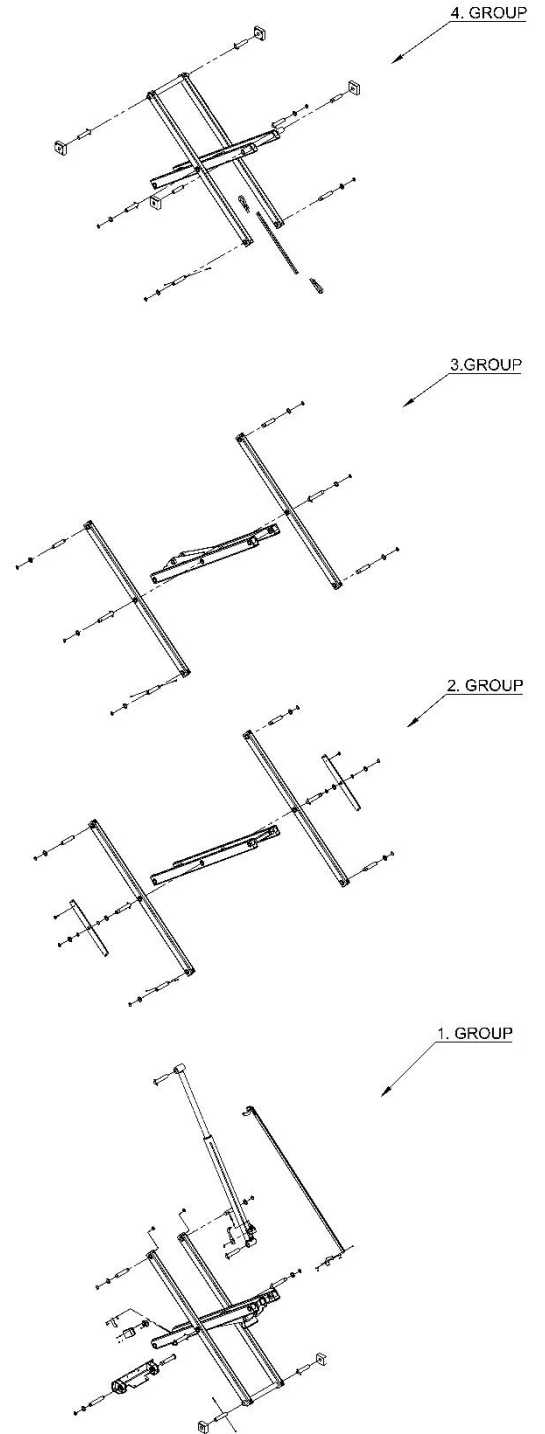
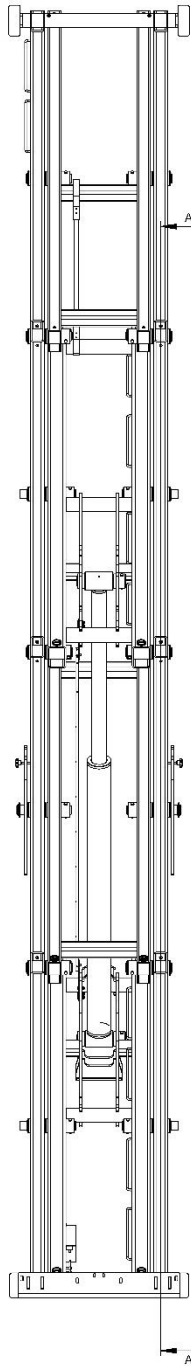
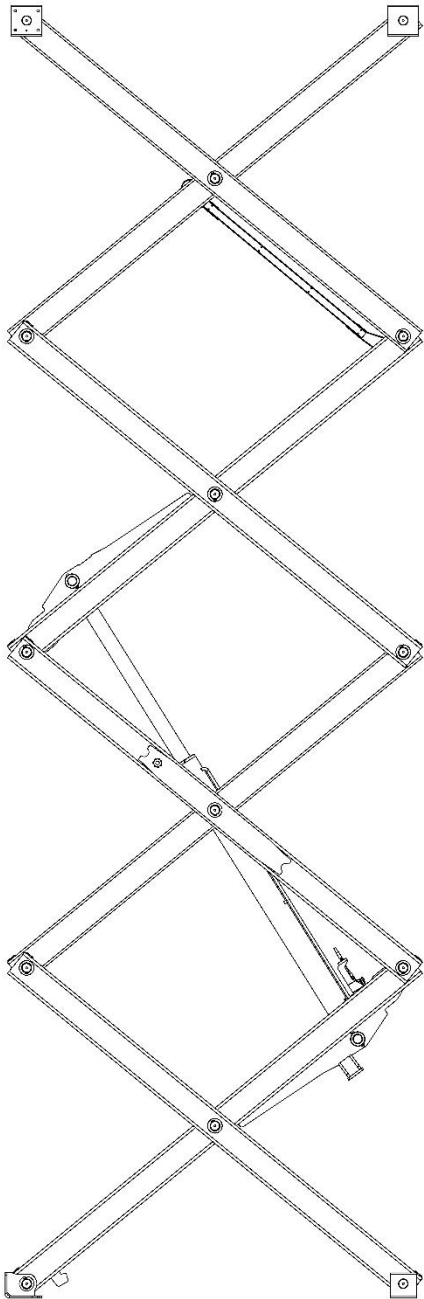
Scisor Group 3 Assembly

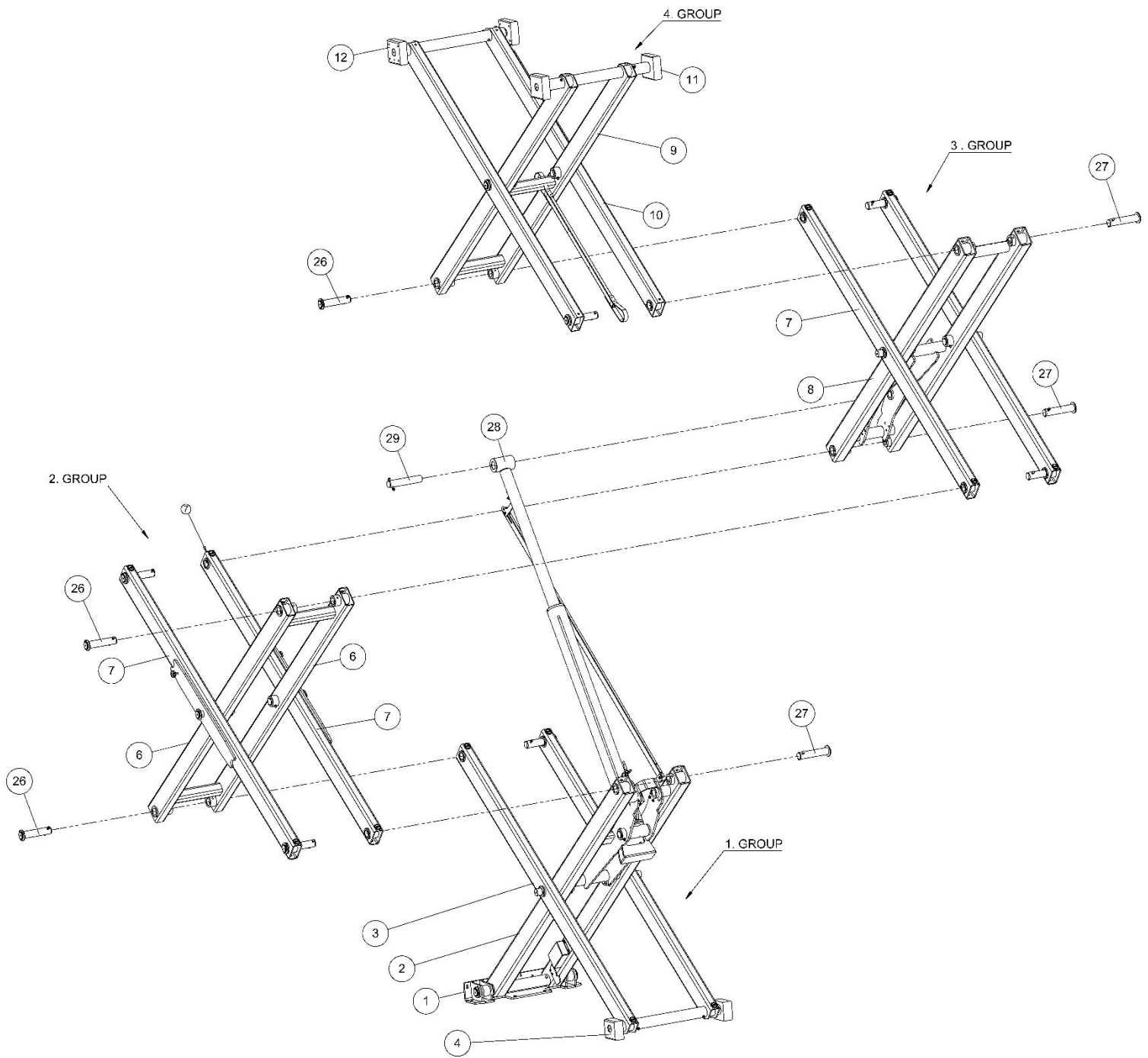


Item	Qty.	Description	Part No.
9	8	Scissor linkage shaft	11020003AA
12	1	3. Inner arm weldment assembly	11020800AA
13	1	3. Outer arm assembly	11020900AA
14	2	Shaft 2	19992202AA
15	2	Top linkage support block shaft 1	11120004AA
16	2	Top linkage support block 1	11120001AA
17	2	Top linkage support block shaft 2	11120005AA
18	2	Top linkage support block 2	11120002AA
21	18	Washer	19992601AA
22	20	Ø40 Circlip DIN 471	S14063000AA
25	26	M8x75 Hex head cap screw DIN 518	S20008019AA
26	26	M8 Prevailing torque nut ISO 10511	S07008000AA

EL 10-T SCISSOR GROUP

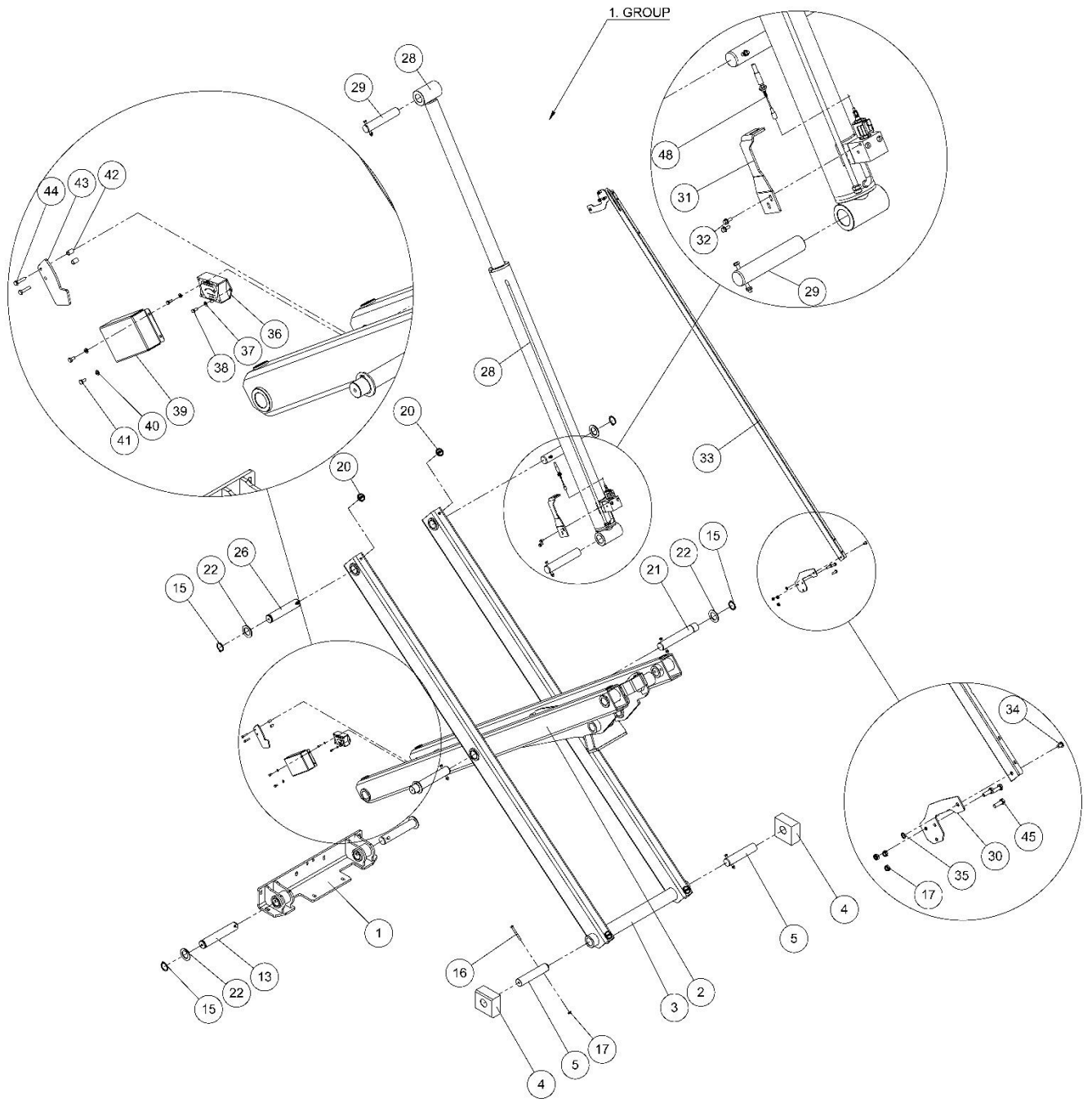
Scissor Assembly





Item	Qty.	Description	Part No.
1	1	Bottom linkage weldment	11120100AA
2	1	1. Inner arm weldment assembly	11120300AA
3	1	1. Outer arm assembly	11120500AA
4	2	Bottom linkage support block	11620001AA
6	1	2. Inner arm weldment assembly	11120700AA
7	4	2. Outer arm assembly	11621000AA
8	1	3. Inner arm weldment assembly	11120800AA
9	1	4. Inner arm weldment assembly	11120900AA
10	1	4. Outer arm assembly	11121000AA
11	2	Top linkage support block 1	11120001AA
12	2	Top linkage support block 2	11120002AA
26	8	Shaft 2	19992202AA
27	6	Scissor linkage shaft	19992201AA
28	1	Lift cylinder	H00510007AA
29	2	Cylinder, linkage shaft	19992209AA

Scisor Group 1 Assembly

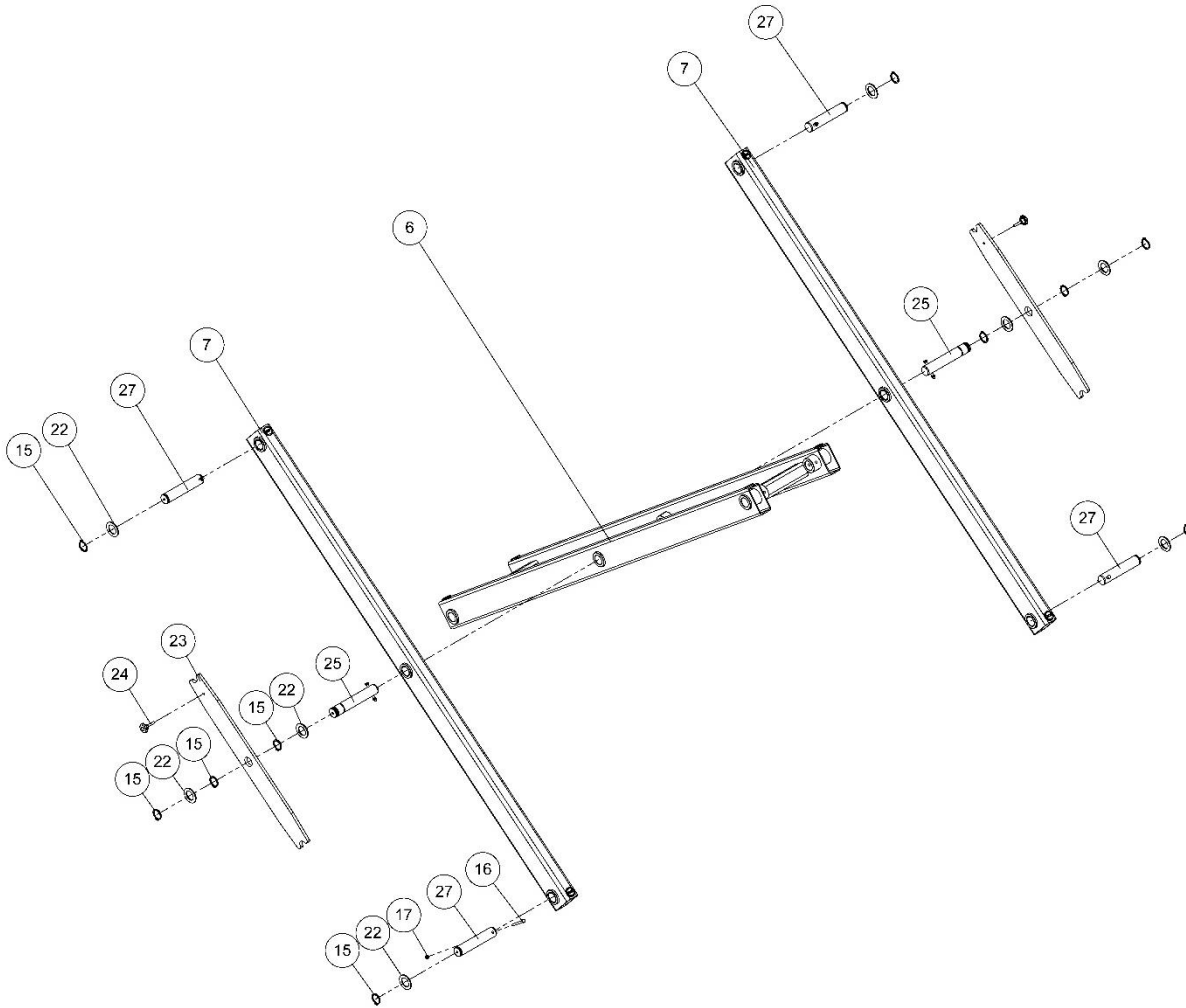


Item	Qty.	Description	Part No.
1	1	Bottom linkage weldment	11120100AA
2	1	1. Inner arm weldment assembly	11120300AA
3	1	1. Outer arm assembly	11120500AA
4	2	Bottom linkage support block	11620001AA
5	2	Bottom linkage support block shaft	11120003AA
13	2	Scissor, linkage shaft	19992207AA
15	26	Ø40 Circlip DIN 471	S14063000AA
17	36	M8 Prevailing torque nut ISO 10511	S07008000AA
20	24	ELS Cap	M01400001AA
21	4	Shaft 3	19992203AA
22	24	Washer	19992601AA
26	8	Shaft 2	19992202AA
28	1	Lift cylinder	H00510007AA
29	2	Cylinder, linkage shaft	19992209AA
30	2	Cable transport bridge linkage	19992007AA
31	1	Emergency lowering cable, cylinder linkage plate	19992001AA
32	2	M6x16 Hexagon flange screw DIN 6921	S28006006AA
33	1	Cable transport bridge 1	19992009AA
34	2	Cable transport bridge linkage pin	19992008AA
35	2	Ø8 Circlip DIN 6799	S15018000AA
36	1	Angle sensor	E04301001AA
37	2	M5 Washer DIN 125	S01005000AA

38	2	M5x12 Hex head cap screw DIN 518	S20005004AA
39	1	Angle sensor protection plate	19992002AA
40	2	M6 Washer DIN 125	S01006000AA
41	2	M6x15 Hex head cap screw DIN 518	S20006004AA
42	2	Limit switch mount plate pin	19992005AA
43	1	Limit switch mount plate	19992006AA
44	2	M6x30 Hex head cap screw DIN 518	S20006010AA
45	6	M8x25 Hex head cap screw DIN 518	S20008009AA
48	1	Emergency lowering cable, cylinder linkage	M00600100AA

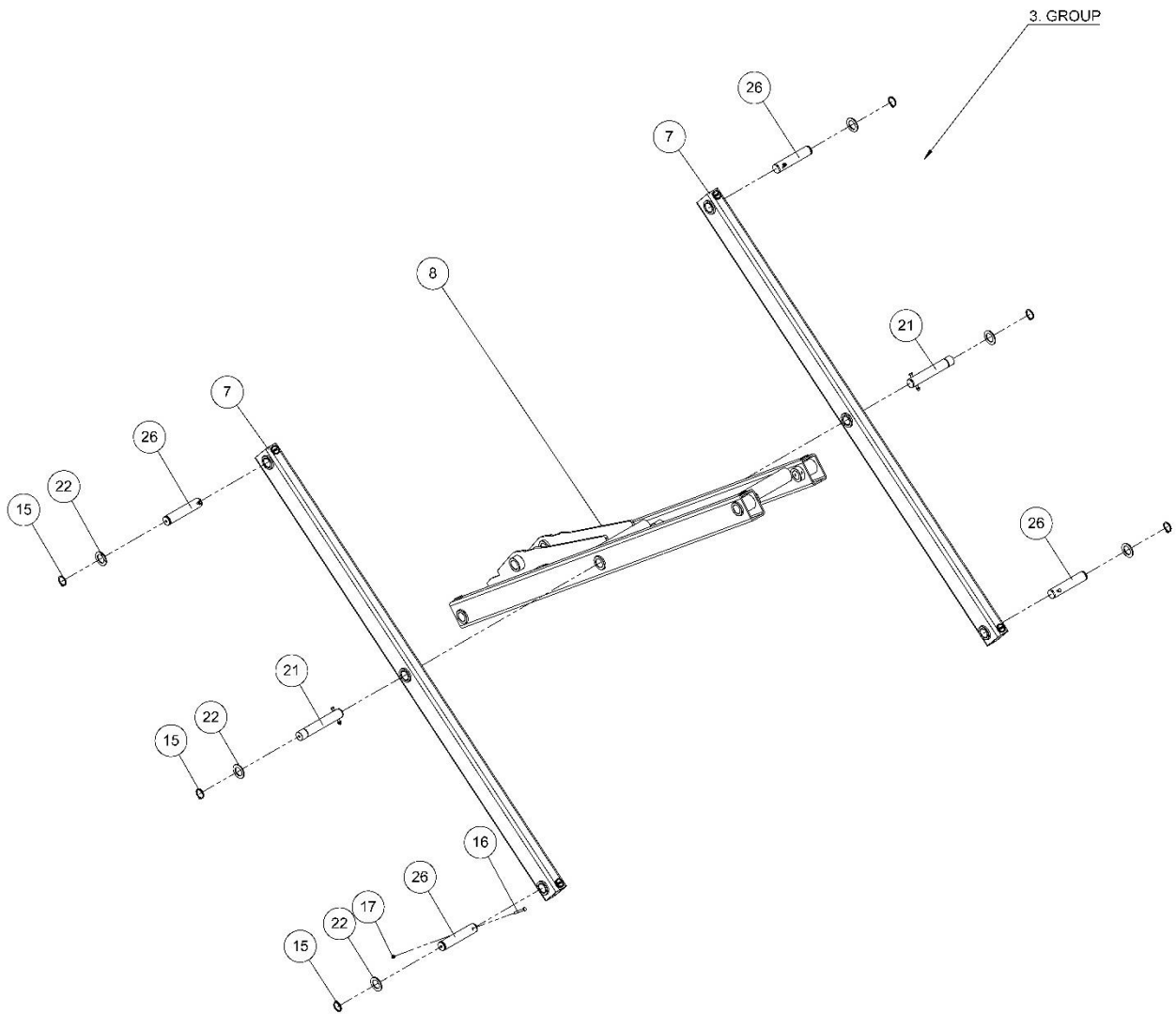
Scissor Group 2 Assembly

2. GROUP



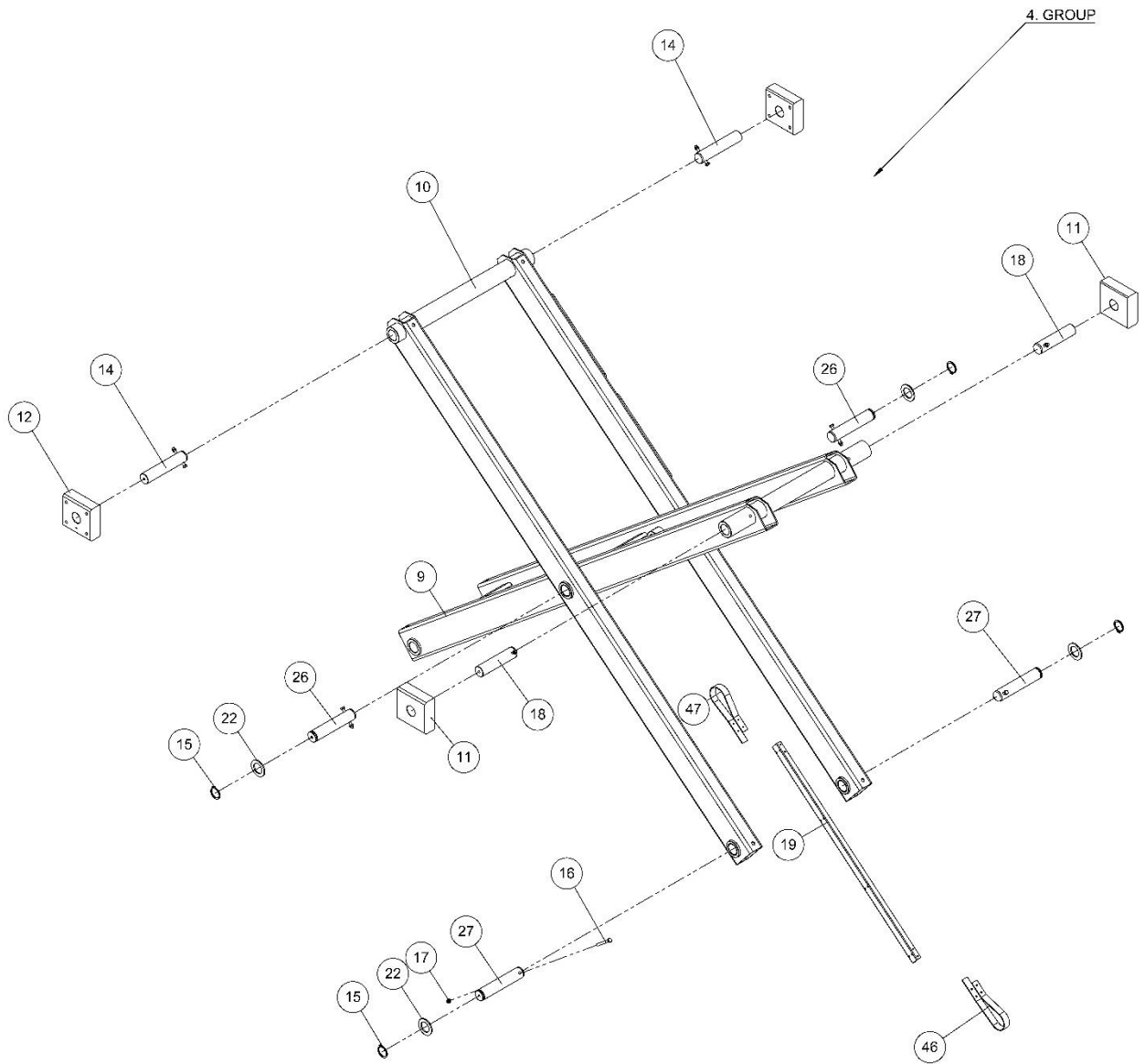
Item	Qty.	Description	Part No.
6	1	2. Inner arm weldment assembly	11120700AA
7	4	2. Outer arm assembly	11621000AA
15	26	Ø40 Circlip DIN 471	S14063000AA
16	30	M8x75 Hex head cap screw DIN 518	S20008019AA
17	36	M8 Prevailing torque nut ISO 10511	S07008000AA
22	24	Washer	19992601AA
23	2	Maintenance Rod	19992003AA
24	2	M8x40 Bakelite star knob	S30008012AA
25	2	Shaft 4	19992204AA
27	6	Scissor, linkage shaft	19992201AA

Scissor Group 3 Assembly



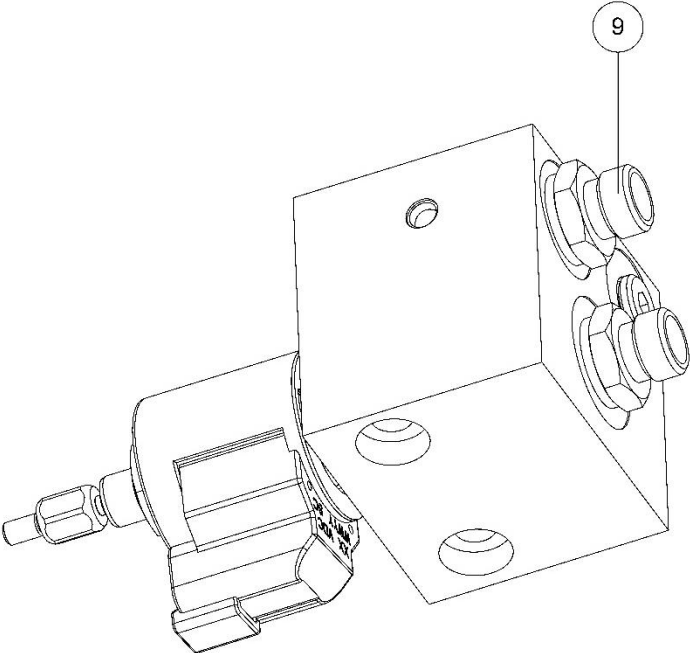
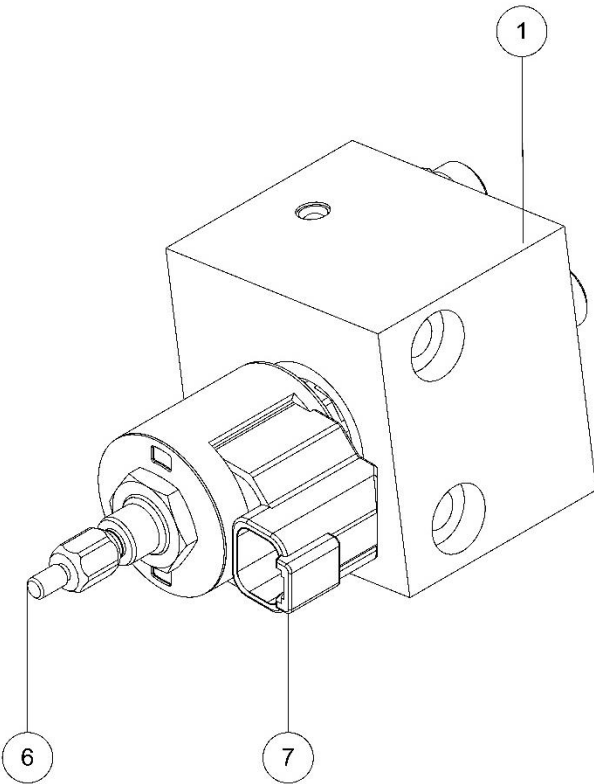
Item	Qty.	Description	Part No.
7	4	2. Outer arm assembly	11621000AA
8	1	3. Inner arm weldent assembly	11120800AA
15	26	Ø40 Circlip DIN 471	S14063000AA
16	30	M8x75 Hex head cap screw DIN 518	S20008019AA
17	36	M8 Prevailing torque nut ISO 10511	S07008000AA
21	4	Shaft 3	19992203AA
22	24	Washer	19992601AA
26	8	Shaft 2	19992202AA

Scissor Group 4 Assembly



Item	Qty.	Description	Part No.
9	1	4. Inner arm weldment assembly	11120900AA
10	1	4. Outer arm assembly	11121000AA
11	2	Top linkage support block 1	11120001AA
12	2	Top linkage support block 2	11120002AA
14	2	Top linkage support block shaft 1	11120004AA
15	26	Ø40 Circlip DIN 471	S14063000AA
16	30	M8x75 Hex head cap screw DIN 518	S20008019AA
17	36	M8 Prevailing torque nut ISO 10511	S07008000AA
18	2	Top linkage support block shaft 2	11120005AA
19	1	Cable transport bridge 2	11120006AA
22	24	Washer	19992601AA
26	8	Shaft 2	19992202AA
27	6	Scissor, linkage shaft	19992201AA
46	1	Cable transport bridge linkage 1	11120007AA
47	1	Cable transport bridge linkage 2	11120008AA

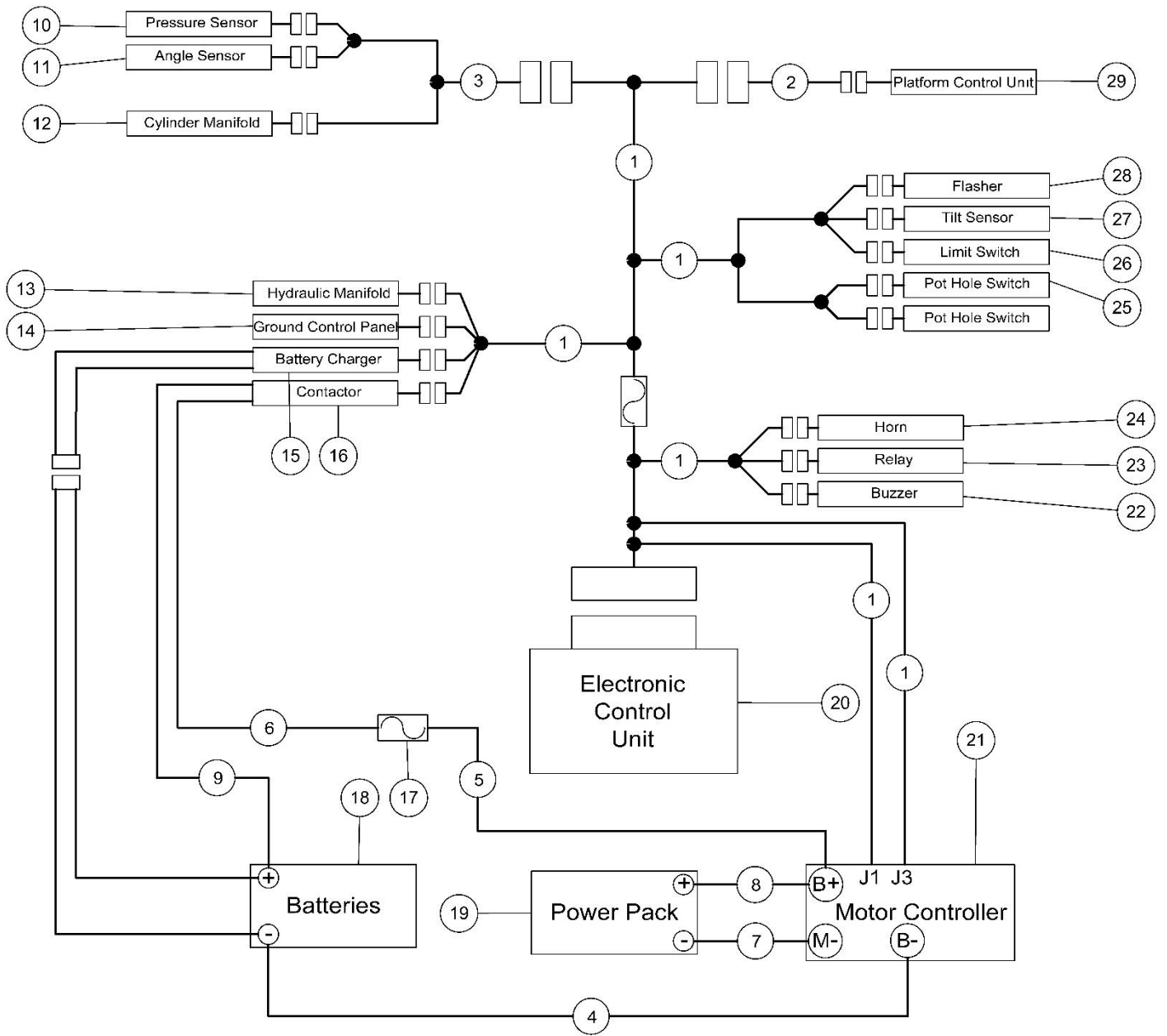
Cylinder Manifold



Item	Qty.	Description	Part No.
1	1	Bottom cylinder hydraulic block	H00700004AA
6	1	Solenoid valve 7	H00800007AA
7	1	Coil 03	H00900003AA
9	2	G1/4" Ø8L Connector	H10251005AA

ELECTRICAL WIRING DIAGRAM

EL 10-T EL 8-T Electrical Wiring Diagram

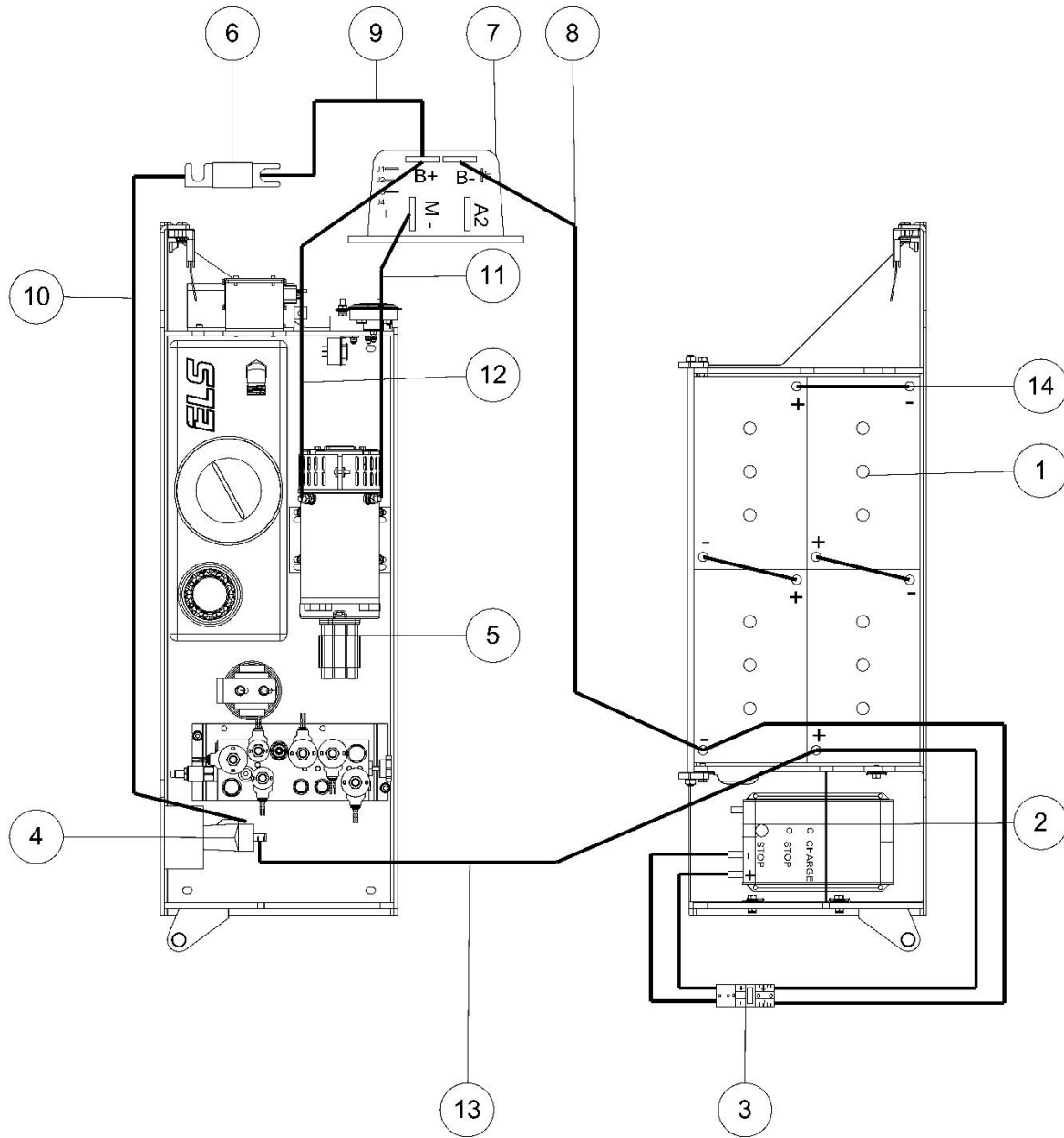


Item	Qty.	Description	Part No.
1	1	Cable assembly for chassis	E01211601AA
2	1	Cable assembly, scissors to platform control unit	E01211602AA
3	1	Cable assembly, chassis to scissors group	E01211603AA
4	1	Cable assembly, battery neg to motor controller B-	E01211605AA
5	1	Cable assembly, fuse to motor controller B+	E01211610AA
6	1	Cable assembly, contactor to fuse	E01211606AA
7	1	Cable assembly, power pack neg to motor controller M-	E01211608AA
8	1	Cable assembly, power pack pos to motor controller B+	E01211607AA
9	1	Cable assembly, battery pos to contactor	E01211604AA
10	1	Pressure sensor	E04303002AA
11	1	Angle sensor	E04301001AA
12	1	Cylinder manifold	H00600004AA
13	1	Hydraulic manifold	H00600001AA
14	1	Ground control panel assembly	-
15	1	24V 20A Battery charger	E00322001AA
16	1	Contactor	E00400001AA
17	1	Fuse	E01100002AA
18	4	6V 225A Batteries	E00212001AA
19	1	Hydraulic power pack	H00100001AA
20	1	Electronic control unit	E04110001AA
21	1	Motor controller	E04000001AA
22	1	Buzzer	E01600002AA
23	1	Relay	E01700001AA
24	1	Horn	E01020001AA

25	2	Pot hole switch	E00820003AA
26	1	Limit switch	E00820003AA
27	1	Tilt sensor	E04302001AA
28	1	Flasher	E00520001AA
29	1	Platform control unit	E04120003AA

POWER CABLE DIAGRAM

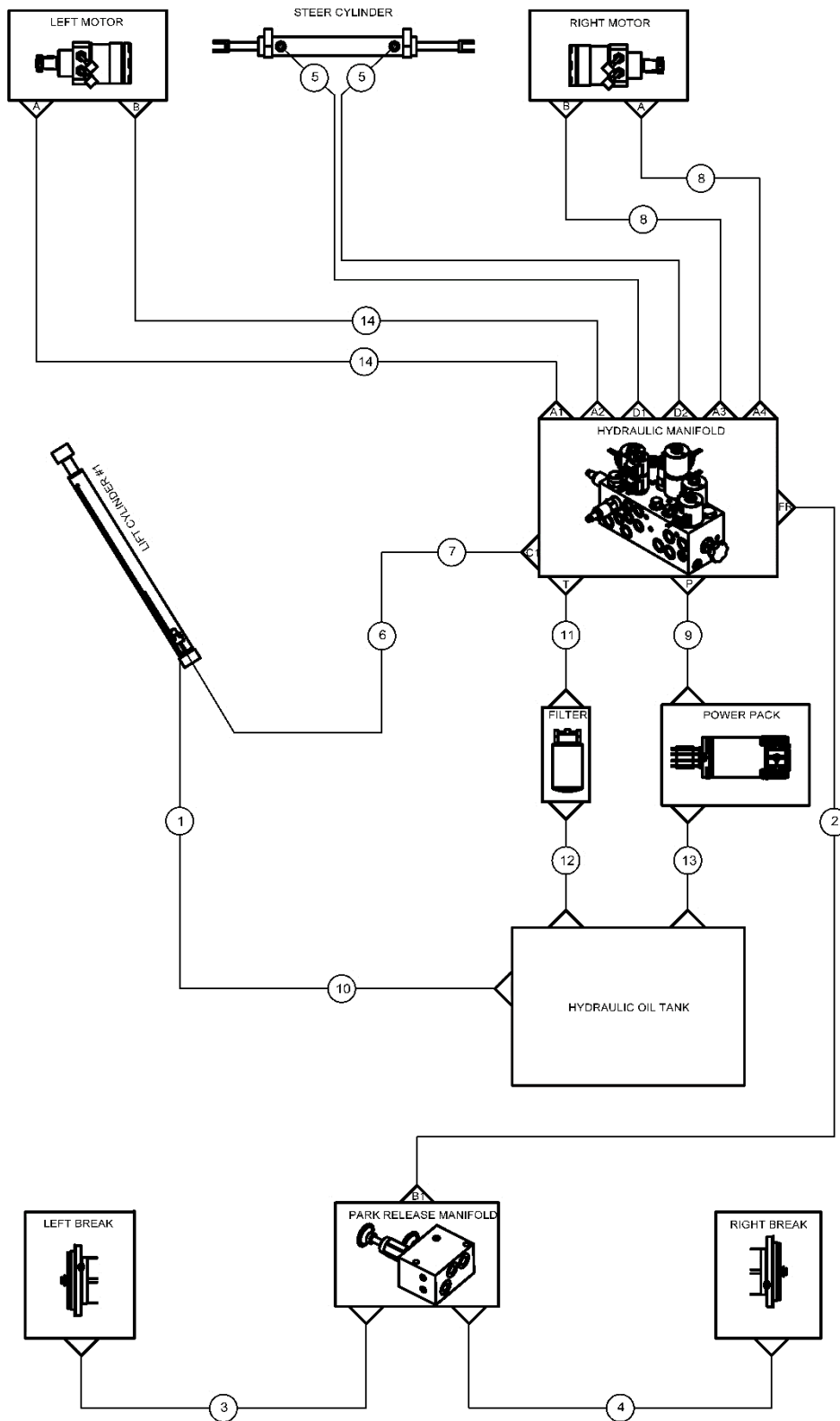
EL 10-T EL 8-T Power Cable Diagram



Item	Qty.	Description	Part No.
1	4	6V 225A Batteries	E00212001AA
2	1	24V 20A Battery charger	E00322001AA
3	1	Battery charger connector	E02100001AA
4	1	Main Switch	E00400001AA
5	1	Hydraulic power pack	H00100001AA
6	1	Fuse	E01100002AA
7	1	Motor controller	E04000001AA
8	1	Cable assembly, battery neg to motor controller B-	E01211605AA
9	1	Cable assembly, fuse to motor controller B+	E01211610AA
10	1	Cable assembly, contactor to fuse	E01211606AA
11	1	Cable assembly, power pack neg to motor controller M-	E01211608AA
12	1	Cable assembly, power pack pos to motor controller B+	E01211607AA
13	1	Cable assembly, battery pos to contactor	E01211604AA
14	3	Cable assembly, battery pos to battery neg	E01211609AA

HYDRAULIC CIRCUIT DIAGRAM

EL 10-T EL 8-T Hydraulic Circuit Diagram



EL 10-T EL 8-T Hydraulic Circuit List

Item	Qty.	Description	Part No.
1	1	Hose assembly, oil tank to lift cylinder	H02106016AA
2	1	Hose assembly, manifold to park release manifold	H02104007AA
3	1	Hose assembly, park release manifold to left break	H02104008AA
4	1	Hose assembly, park release manifold to right break	H02104009AA
5	2	Hose assembly, manifold to steer cylinder	H02104010AA
6	1	Hose assembly, manifold to lift cylinder	H02106019AA
7	1	Hose assembly, manifold to lift cylinder	H02106020AA
8	2	Hose assembly, manifold to right motor	H02106021AA
9	1	Hose assembly, manifold to power pack	H02106006AA
10	1	Hose assembly, oil tank to lift cylinder	H02106022AA
11	1	Hose assembly, manifold to filter	H02106011AA
12	1	Hose assembly, filter to oil tank	H02109001AA
13	1	Hose assembly, power pack to oil tank	H02109002AA
14	2	Hose assembly, manifold to left motor	H02106023AA